

The information contained in this drawing is the sole property of CWS Coil Winding Specialist. Any reproduction in part or whole without written permission of CWS Coil Winding Specialist is prohibited.

REVISION HISTORY			
REV	ECN	DESCRIPTION	DATE
C		PRODUCTION RELEASE	6/14/06

- 7 BUILT TO ROHS COMPLIANCE AND LEAD FREE.
- USING A PERMANENT MARKING METHOD
- MARK PART NUMBER AND REVISION, IF APPLICABLE,
- IF NEEDED, WRAP INDUCTOR WITH GLASS TAPE

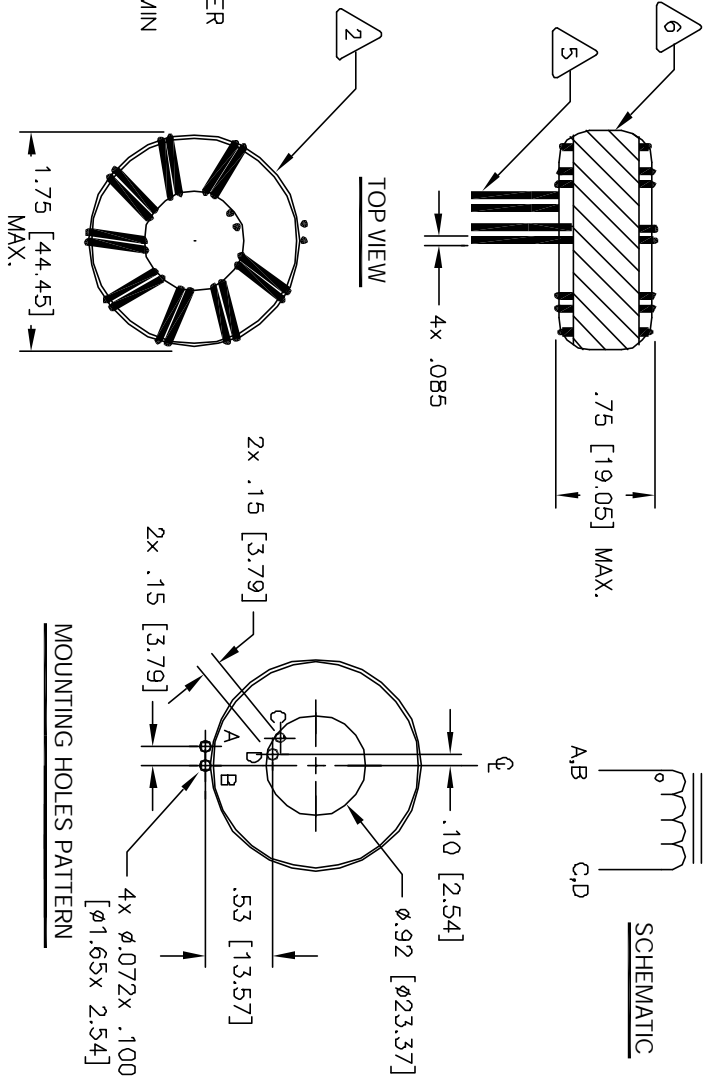
- 6 TO THE CORE
- MUST REST FLAT ON PCB). LEADS MUST BE TANGENT
- FLUSH WITH THE COIL EDGE, AS SHOWN (I.E. COIL
- REMOVE INSULATION AND TIN LEADS APPROX. 0.75 INCH

- 5 WIND COILS EVENLY SPACED
- CONSTRUCTION:

- B = 4200 GAUSS, BMAX = 15K GAUSS; H @ 50A = 70 OER
- CURRENT RATING : 50 AMPS, 40°C TEMP. RISE, NO AIR FLOW
- HI-POT TEST FOR WINDING TO CORE ISOLATION = 500 VDC MIN
- DCR = 1.3 MILLI-OHMS MAX (ALL 2 STRANDS IN PARALLEL)
- DC BIASED = 50 AMPS, INDUCTANCE = 3.0 UH
- DC BIASED = 52 AMPS, INDUCTANCE = 3.2 UH
- L = 4.0 UH + - 10% @ LOW DC BIAS, 1 KHZ, 250 mV
- 3 SPECIFICATIONS @ 25°C

- 2 WIRE: UL RECOGNIZED 200°C RATED MAGNET WIRE
- CWS BYTEMARK PART OR OTHER APPROVED PART
- CORE: HI-FLUX TOROIDAL CORE

- 1 RATING CLASS B (130°) REQUIRED
- MATERIAL: UL RECOGNIZED 94V-0 FOR FLAMMABILITY
- NOTES: UNLESS OTHERWISE SPECIFIED.
- READ FROM BOTTOM UP.



BOTTOM VIEW

TOP VIEW

SCHEMATIC

MOUNTING HOLES PATTERN

UNLESS OTHERWISE SPECIFIED	DIMENSIONING AND TOLERANCE PER ANSI Y14.2M
ALL DIMENSIONS ARE IN INCHES AND (MILLIMETERS)	
TOLERANCE INCHES	±.005
TOLERANCE METRCS	±.127
ANGLE PROJECTION	1ST ANGLE
DO NOT SCALE DRAWINGS	

CODE IDENT	MFG. P/N	DESCRIPTION	ITEM NO.
AUTOCAD	X		
SOLIDWORKS			
SIGN	DATE		
DRAWN TDK	6/14/06		
DESIGN KKSJUM	6/14/06		
ENGR. JLAU	6/14/06		
APPR. JLAU	6/14/06		
PARTS LIST		DESCRIPTION	ITEM NO.
CWS Coil Winding Specialist.			
353 WEST GROVE AVE			
Bldg 7, ORANGE, CA 92686			
TITLE: Toroidal Power Choke			
Power Inductor			
SIZE	DWG. NO.	REV	
B	HF270-040M-50A	C	
SCALE	1=1	SHEET	1 OF 1