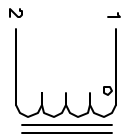


The information contained in this drawing is the sole property of CWS Coil Winding Specialist. Any reproduction in part or whole without written permission of CWS Coil Winding Specialist is prohibited.

REVISION HISTORY

REV	ECN	DESCRIPTION	DATE	BY	CHK	DATE
A		PRODUCTION RELEASE	9/08/04	JLU		9/08/04



SCHEMATIC

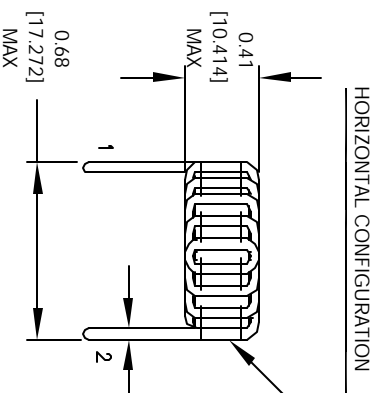
6 WHERE SHOWN, USING A PERMANENT MARKING METHOD IF APPLICABLE, MARK PART NUMBER AND REVISION

5 FLUSH WITH THE COIL EDGE, AS SHOWN REMOVE INSULATION AND TIN LEADS APPROX. 0.25 INCH

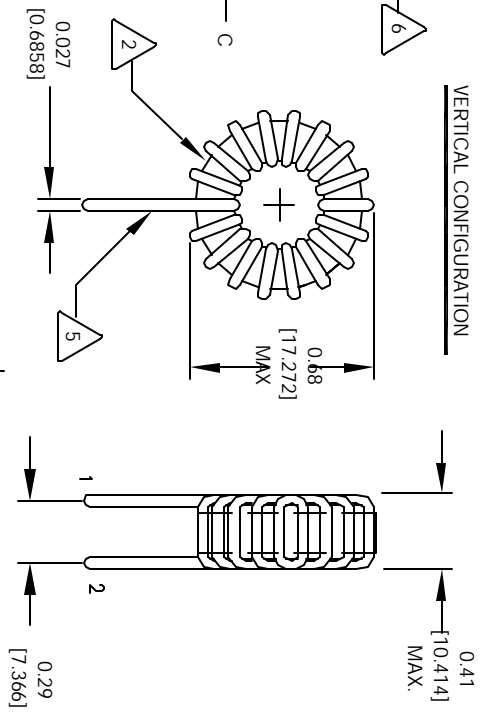
4 WIND WIRE TO CORE EVENLY SPACED CONSTRUCTION:

3 HI-POT TEST FOR WIRE TO CORE = 500 VDC
 INDUCTANCE @ ± 15% RATED CURRENT = 12.4 uH
 DC CURRENT RATING = 4.7 AMPS MAX
 DCR = 29.0 MILLI-OHMS, MAX
 INDUCTANCE @ 0 AMPS = 15.0 uH, ± 15% , 1 KHZ., 0.25 Vrms
 SPECIFICATIONS @ 25 °C

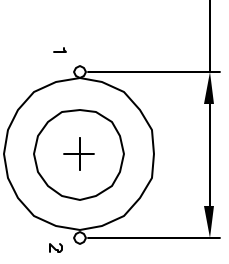
2 WIRE: UL RECOGNIZED 130°C RATED MAGNET WIRE
 CORE: COATED MICROMETAL IRON POWDER
 CORE COATING RATING CLASS B (130°) REQUIRED
 MATERIAL: UL RECOGNIZED 94V-0 FOR FLAMMABILITY
 NOTES: UNLESS OTHERWISE SPECIFIED, TOROIDAL INDUCTOR



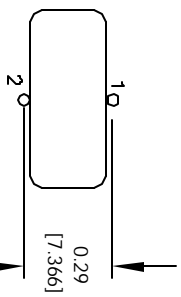
HORIZONTAL CONFIGURATION



VERTICAL CONFIGURATION



MOUNTING HOLES PATTERN



MOUNTING HOLES PATTERN

CODE IDENT	MFG. P/N	DESCRIPTION	ITEM NO.
		PARTS LIST	
AUTOCAD SOLIDWORKS SIGN	X	CWS Coil Winding Specialist. www.cwswind.com	
DATE	DATE	1510 E. Edinger Ave. Unit B, Santa Ana, CA 92705	
DRAWN RFR	6/08/04	High Current Toroidal Inductors Vertical & Horizontal	
DESIGNED JLU	6/08/04		
ENGR. KSUM	6/08/04		
APPR. JLU	6/08/04		
SIZE	DRW. NO.	SCALE	REV
B	J20-150V	2=1	A
DO NOT SCALE DRAWING			SHEET 1 OF 1