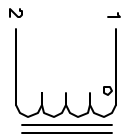


The information contained in this drawing is the sole property of CWS Coil Winding Specialist. Any reproduction in part or whole without written permission of CWS Coil Winding Specialist is prohibited.

REVISION HISTORY

REV	ECN	DESCRIPTION	DATE	BY	CHK
A		PRODUCTION RELEASE	9/08/04	JLU	9/08/04



SCHEMATIC

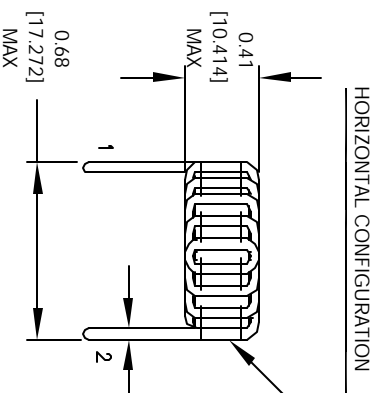
6 WHERE SHOWN, USING A PERMANENT MARKING METHOD IF APPLICABLE, MARK PART NUMBER AND REVISION

5 FLUSH WITH THE COIL EDGE, AS SHOWN REMOVE INSULATION AND TIN LEADS APPROX. 0.25 INCH

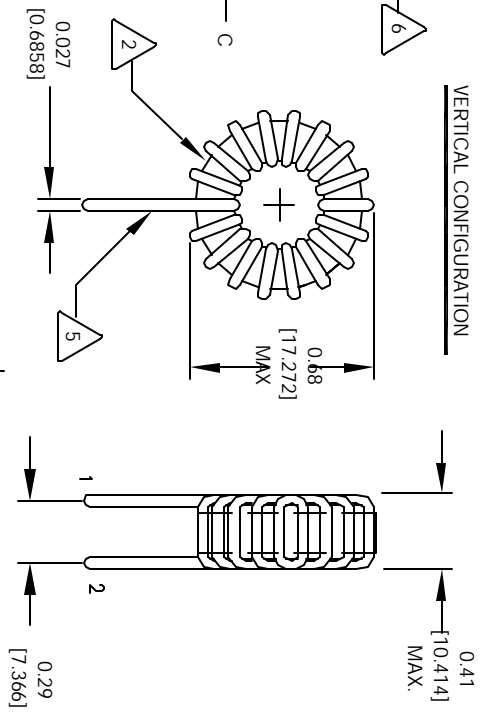
4 WIND WIRE TO CORE EVENLY SPACED CONSTRUCTION:

3 HI-POT TEST FOR WIRE TO CORE = 500 VDC  
 INDUCTANCE @ ± 15% RATED CURRENT = 16.7 uH  
 DC CURRENT RATING = 4.3 AMPS MAX  
 DCR = 35.0 MILLI-OHMS, MAX  
 INDUCTANCE @ 0 AMPS = 22.0 uH, ± 15% , 1 KHZ., 0.25 Vrms  
 SPECIFICATIONS @ 25 °C

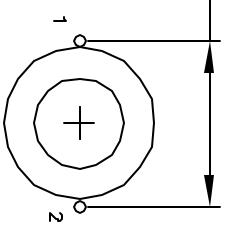
2 WIRE: UL RECOGNIZED 130°C RATED MAGNET WIRE  
 CORE: COATED MICROMETAL IRON POWDER  
 CORE COATING RATING CLASS B (130°) REQUIRED  
 MATERIAL: UL RECOGNIZED 94V-0 FOR FLAMMABILITY  
 NOTES: UNLESS OTHERWISE SPECIFIED, TOROIDAL INDUCTOR



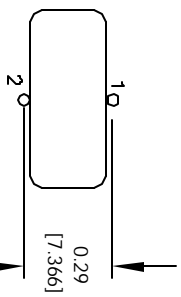
HORIZONTAL CONFIGURATION



VERTICAL CONFIGURATION



MOUNTING HOLES PATTERN



MOUNTING HOLES PATTERN

CODE IDENT	MFG. P/N	DESCRIPTION	ITEM NO.		
		<b>PARTS LIST</b>			
AUTOCAD	X	CWS Coil Winding Specialist.			
SOLIDWORKS		www.cotlws.com			
SIGN	DATE	1510 E. Edinger Ave.			
		Unit B, Santa Ana, CA 92705			
UNLESS OTHERWISE SPECIFIED		<b>High Current Toroidal Inductors</b> Vertical & Horizontal			
TOLERANCE PER ANSI Y14.5M	DRAWN			RRR	6/08/04
ALL DIMENSIONS ARE IN NOTES AND DIMENSIONS ARE IN NOTES	DRG			JLU	6/08/04
TOLERANCE INCHES	ENGR			KSUM	6/08/04
TOLERANCE METERS	APPR			JLU	6/08/04
UNLESS OTHERWISE SPECIFIED	SCALE	SIZE DIM. IN.      J20-220V UNLESS OTHERWISE SPECIFIED      B DO NOT SCALE DRAWING      2=1			