

The information contained in this drawing is the sole property of CWS Coil Winding Specialist. Any reproduction in part or whole without written permission of CWS Coil Winding Specialist is prohibited.

REVISION HISTORY

| REV | ECN | DESCRIPTION | DATE | BY | CHK |
|-----|-----|--------------------|---------|-----|---------|
| A | | PRODUCTION RELEASE | 9/08/04 | JLU | 9/08/04 |



SCHEMATIC

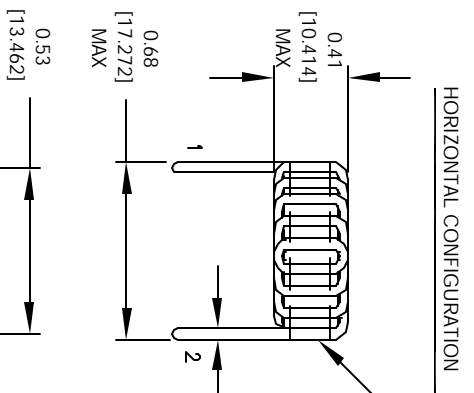
6 WHERE SHOWN, USING A PERMANENT MARKING METHOD IF APPLICABLE, MARK PART NUMBER AND REVISION

5 FLUSH WITH THE COIL EDGE, AS SHOWN REMOVE INSULATION AND TIN LEADS APPROX. 0.25 INCH

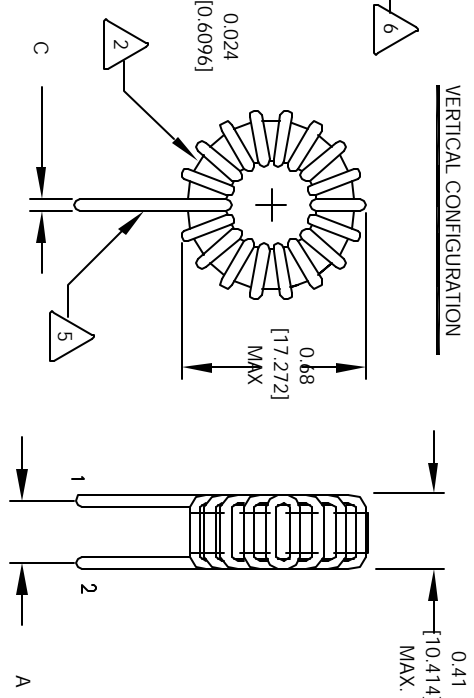
4 WIND WIRE TO CORE EVENLY SPACED CONSTRUCTION:

3 HI-POT TEST FOR WIRE TO CORE = 500 VDC
 INDUCTANCE @ ± 15% RATED CURRENT = 25.4 uH
 DC CURRENT RATING = 3.5 AMPS MAX
 DCR = 54.0 MILLI-OHMS, MAX
 INDUCTANCE @ 0 AMPS = 33.0 uH, ± 15% , 1 KHZ., 0.25 Vrms
 SPECIFICATIONS @ 25 °C

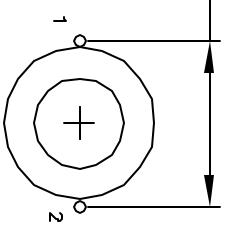
2 WIRE: UL RECOGNIZED 130°C RATED MAGNET WIRE
 CORE: COATED MICROMETAL IRON POWDER
 CORE COATING RATING CLASS B (130°) REQUIRED
 MATERIAL: UL RECOGNIZED 94V-0 FOR FLAMMABILITY
 NOTES: UNLESS OTHERWISE SPECIFIED, TOROIDAL INDUCTOR



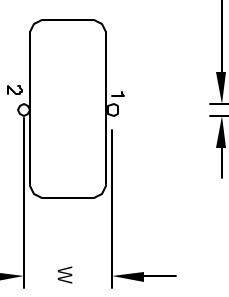
HORIZONTAL CONFIGURATION



VERTICAL CONFIGURATION



MOUNTING HOLES PATTERN



MOUNTING HOLES PATTERN

| CODE IDENT | MFG. P/N | DESCRIPTION | ITEM NO. |
|-------------------------|----------|--|----------|
| AUTOCAD SOLIDWORKS SIGN | X | COILS COM, INC www.coilws.com | |
| DATE | DATE | CWS Coil Winding Specialist 1510 E. Edinger Ave. Unit B, Santa Ana, CA 92705 | |
| DATE | DATE | DATE | DATE |
| 9/08/04 | 9/08/04 | 9/08/04 | 9/08/04 |

| UNLESS OTHERWISE SPECIFIED | TOLERANCE PER ANSI Y14.5M | UNLESS OTHERWISE SPECIFIED | TOLERANCE PER ANSI Y14.5M |
|---|---------------------------|----------------------------|---------------------------|
| ALL DIMENSIONS ARE IN NOTES AND DIMENSIONS ARE IN NOTES | | UNLESS OTHERWISE SPECIFIED | |
| TOLERANCE INCHES | ±.0005 | TOLERANCE METERS | ±.001 |
| TOLERANCE METERS | ±.0005 | TOLERANCE METERS | ±.001 |
| ANGLE PROJECTION | AS SHOWN | ANGLE PROJECTION | AS SHOWN |
| DO NOT SCALE DRAWING | | DO NOT SCALE DRAWING | |

| SCALE | SIZE | DATE | REV |
|-------|------|---------|-----|
| 2=1 | B | 9/08/04 | A |

High Current Toroidal Inductors
 Vertical & Horizontal