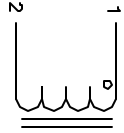


The information contained in this drawing is the sole property of CWS Coil Winding Specialist. Any reproduction in part or whole without written permission of CWS Coil Winding Specialist is prohibited.

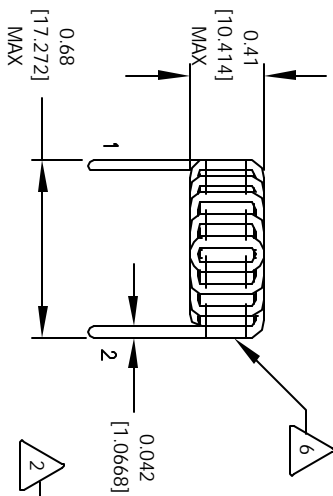
REVISION HISTORY

REV	ECN	DESCRIPTION	DATE	BY	CHK
A		PRODUCTION RELEASE	9/08/04	JLU	9/08/04

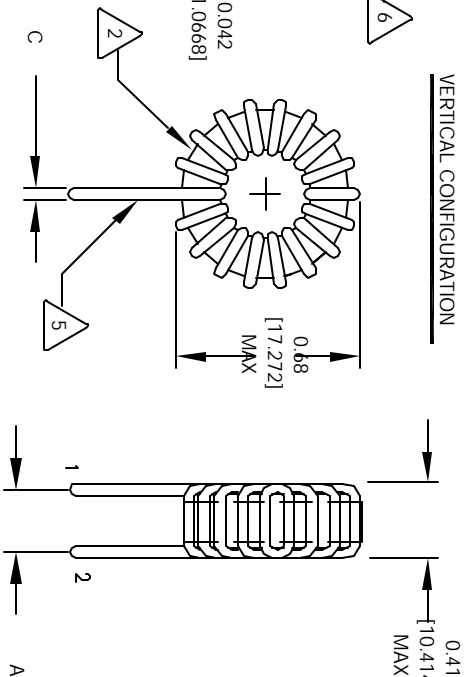


SCHEMATIC

HORIZONTAL CONFIGURATION



VERTICAL CONFIGURATION



6 WHERE SHOWN, USING A PERMANENT MARKING METHOD IF APPLICABLE, MARK PART NUMBER AND REVISION

5 FLUSH WITH THE COIL EDGE, AS SHOWN REMOVE INSULATION AND TIN LEADS APPROX. 0.25 INCH

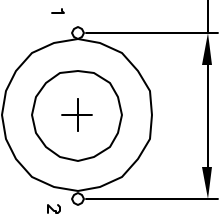
4 WIND WIRE TO CORE EVENLY SPACED CONSTRUCTION:

- HIPOT TEST FOR WIRE TO CORE = 500 VDC
- INDUCTANCE @ ± 20% RATED CURRENT = 2.5 uH
- DC CURRENT RATING = 11.1 AMPS MAX
- DCR = 5.3 MILLI-OHMS, MAX
- INDUCTANCE @ 0 AMPS = 3.3 uH, ± 20%, 1 KHZ., 0.25 Vrms
- SPECIFICATIONS @ 25 °C

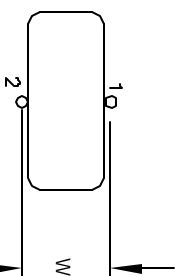
2 WIRE: UL RECOGNIZED 130°C RATED MAGNET WIRE
CORE: COATED MICROMETAL IRON POWDER

- 1 CORE COATING RATING CLASS B (130°) REQUIRED MATERIAL: UL RECOGNIZED 94V-0 FOR FLAMMABILITY
- NOTES: UNLESS OTHERWISE SPECIFIED, TOROIDAL INDUCTOR

MOUNTING HOLES PATTERN



MOUNTING HOLES PATTERN



CODE IDENT	MFG. P/N	DESCRIPTION	ITEM NO.
AUTOCAD	X		
SOLIDWORKS			
SIGN	DATE	PARTS LIST CWS Coil Winding Specialist 1510 E. Edinger Ave. Unit B, Santa Ana, CA, 92705 WWW.COWS.COM	
DRAWN	6/08/04		
DESIGNED	6/08/04		
ENGR.	6/08/04		
APPR.	6/08/04		
JLU	6/08/04		

High Current Toroidal Inductors
Vertical & Horizontal

J20-3R3H

SCALE B 2=1 SHEET 1 OF 1