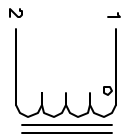


The information contained in this drawing is the sole property of CWS Coil Winding Specialist. Any reproduction in part or whole without written permission of CWS Coil Winding Specialist is prohibited.

REVISION HISTORY

REV	ECN	DESCRIPTION	DATE	BY	CHK
A		PRODUCTION RELEASE	9/08/04	JLU	9/08/04



SCHEMATIC

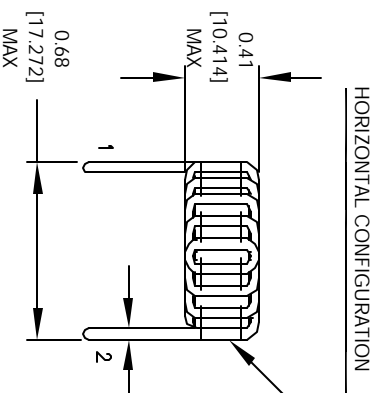
6 WHERE SHOWN, USING A PERMANENT MARKING METHOD IF APPLICABLE, MARK PART NUMBER AND REVISION

5 FLUSH WITH THE COIL EDGE, AS SHOWN REMOVE INSULATION AND TIN LEADS APPROX. 0.25 INCH

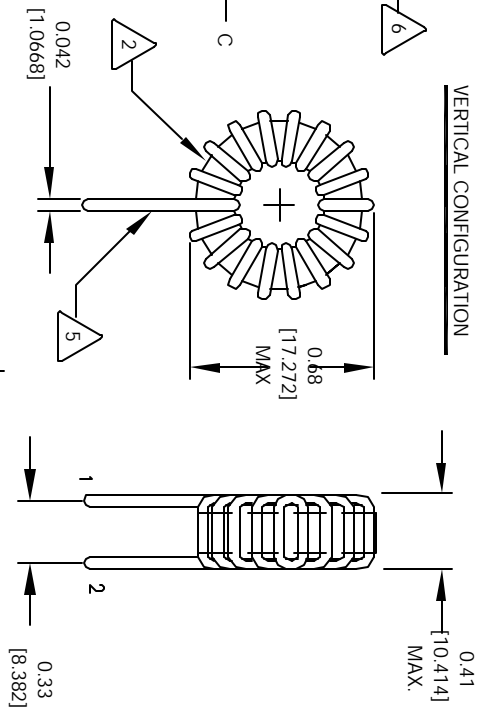
4 WIND WIRE TO CORE EVENLY SPACED CONSTRUCTION:

3 HI-POT TEST FOR WIRE TO CORE = 500 VDC
 INDUCTANCE @ ± 20% RATED CURRENT = 4.0 uH
 DC CURRENT RATING = 9.7 AMPS MAX
 DCR = 6.9 MILLI-OHMS, MAX
 INDUCTANCE @ 0 AMPS = 5.6 uH, ± 20%, 1 KHZ, 0.25 Vrms
 SPECIFICATIONS @ 25 °C

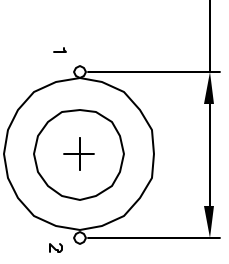
2 WIRE: UL RECOGNIZED 130°C RATED MAGNET WIRE
 CORE: COATED MICROMETAL IRON POWDER
 CORE COATING RATING CLASS B (130°) REQUIRED
 MATERIAL: UL RECOGNIZED 94V-0 FOR FLAMMABILITY
 NOTES: UNLESS OTHERWISE SPECIFIED, TOROIDAL INDUCTOR



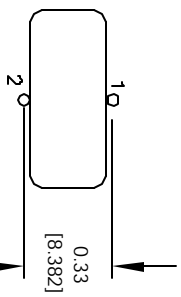
HORIZONTAL CONFIGURATION



VERTICAL CONFIGURATION



MOUNTING HOLES PATTERN



MOUNTING HOLES PATTERN

CODE IDENT	MFG. P/N	DESCRIPTION	ITEM NO.
		PARTS LIST	
AUTOCAD	X	CWS Coil Winding Specialist.	
SOLIDWORKS		1510 E. Edinger Ave.	
SIGN	DATE	WWW.COWS.COM	
UNLESS OTHERWISE SPECIFIED		1510 E. Edinger Ave.	
TOLERANCE PER ANSI Y14.5M		UNIT: B. SOMETIMES A.S. 92705	
ALL DIMENSIONS ARE IN NOTES			
AND UNLESS OTHERWISE SPECIFIED			
TOLERANCE INCHES	±0.030		
±0.005	±0.015		
TOLERANCE METERS	±0.127		
±0.0025	±0.101		
ANGLE PROJECTION	AS SHOWN		
DO NOT SCALE DRAWING			

SIZE	DRW. NO.	REV
B	J20-5R6V	A
SCALE	2=1	SHEET 1 OF 1

High Current Toroidal Inductors
 Vertical & Horizontal