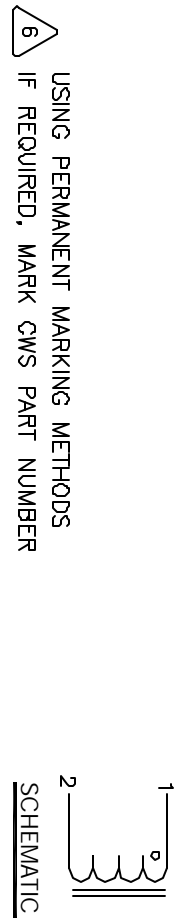


The information contained in this drawing is the sole property of CWS Coil Winding Specialist. Any reproduction in part or whole without written permission of CWS Coil Winding Specialist is prohibited.

REVISION HISTORY			
REV	ECN	DESCRIPTION	SBN & DATE
A		PRODUCTION RELEASE	TRK 7/22/04
			TRK 7/22/04



6 USING PERMANENT MARKING METHODS
IF REQUIRED, MARK CWS PART NUMBER

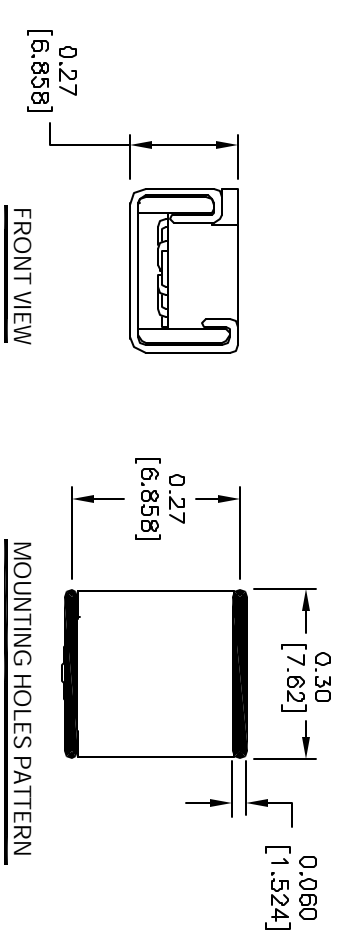
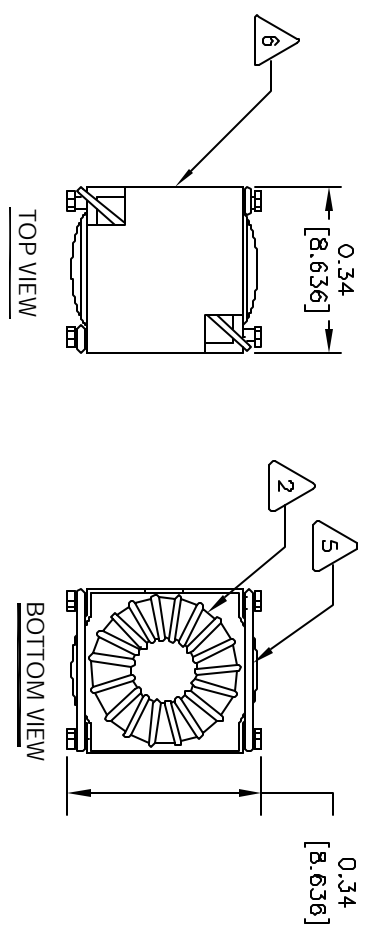
5 LEADS MUST BE CO-PLANAR WITH FLAT SURFACE
REMOVE INSULATION, TIN LEADS SECTION THAT WRAP AROUND BOBBIN

4 WIND COILS EVENLY SPACED
CONSTRUCTION:
HI-POT TEST FOR WINDING TO CORE ISOLATION = 500 VDC MIN
SRF = 10.0 MHZ MIN.
CURRENT RATING = 1.12 AMPS, 40 °C TEMP. RISE, NO AIR FLOW
DCR = 205.0 MILLI-OHMS

3 DC BIAS OF 0.6 AMPS, INDUCTANCE = 40.0 UH
L = 50 UH ± 10 % @ LOW DC BIAS, 1 KHZ; 250 mV
SPECIFICATIONS:

2 WIRE: UL RECOGNIZED 155°C RATED MAGNET WIRE
CWS BYTEMARK OR OTHER APPROVED PART
CORE: COATED HIGH FLUX TOROID

1. RATING CLASS B (130°C MIN.) REQUIRED
MATERIAL: UL RECOGNIZED 94V-0 FLAMMABILITY
NOTES: SURFACE MOUNT INDUCTOR



CODE	IDENT	MFG. P/N	DESCRIPTION	ITEM NO.
			PARTS LIST	
			CWS Coil Winding Specialist, 1510 E. Edinger Ave., Vik. B, Santa Ana, CA, 92705	
			TITLE: Surface Mount Power Chokes	
			SIZE (INCHES): B SHF046-500M-1.2A	REV A
			SCALE: 1=1	SHEET 1 OF 1