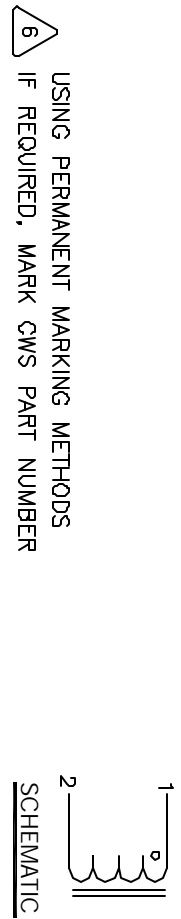


The information contained in this drawing is the sole property of CWS Coil Winding Specialist. Any reproduction in part or whole without written permission of CWS Coil Winding Specialist is prohibited.

REVISION HISTORY		DESCRIPTION		SBN & DATE	
REV	ECN	DATE	CHK	DATE	DATE
A		7/22/04	TKK	7/22/04	



6 USING PERMANENT MARKING METHODS
 IF REQUIRED, MARK CWS PART NUMBER

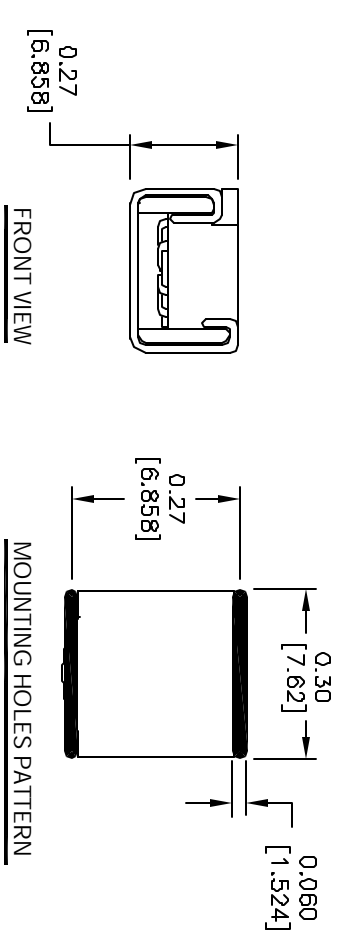
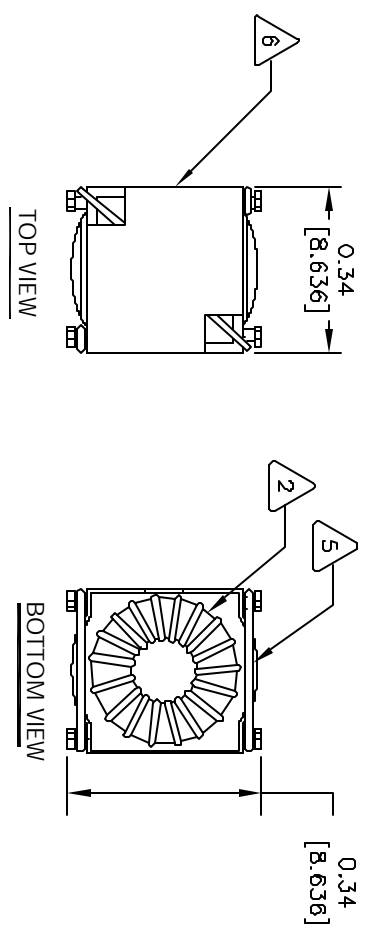
5 LEADS MUST BE CO-PLANAR WITH FLAT SURFACE
 REMOVE INSULATION, TIN LEADS SECTION THAT WRAP AROUND BOBBIN

4 WIND COILS EVENLY SPACED
 CONSTRUCTION:
 HI-POT TEST FOR WINDING TO CORE ISOLATION = 500 VDC MIN
 SRF = 3.0 MHZ MIN.
 CURRENT RATING = 0.96 AMPS, 40 °C TEMP. RISE, NO AIR FLOW
 DCR = 355.0 MILLI-OHMS

3 DC BIAS OF 0.7 AMPS, INDUCTANCE = 200.0 UH
 L = 250 UH ± 10 % @ LOW DC BIAS, 1 KHZ; 250 mV
 SPECIFICATIONS:

2 WIRE: UL RECOGNIZED 155°C RATED MAGNET WIRE
 CWS BYTEMARK OR OTHER APPROVED PART
 CORE: COATED HIGH FLUX TOROID

1. RATING CLASS B (130°C MIN.) REQUIRED
 MATERIAL: UL RECOGNIZED 94V-0 FLAMMABILITY
 NOTES: SURFACE MOUNT INDUCTOR



CODE	IDENT	MFG. P/N	DESCRIPTION	ITEM NO.
AUTOCAD	X			
SOLIDWORKS				
SKIN				
DATE				
DRAWN	RFR	7/22/04		
CHECKED	TDK	7/22/04		
ENGR.	JLAV	7/22/04		
APPR.	JLAV	7/22/04		
SIZE	B			
SCALE	1=1			

UNLESS OTHERWISE SPECIFIED	TOLERANCE INCHES	TOLERANCE METRCS
DIMENSIONS AND TOLERANCE PER ANSI Y14.3M AND DIMENSIONAL	±.0030	±.0762
ALL DIMENSIONS ARE IN INCHES AND DIMENSIONS	±.0015	±.0381
TOLERANCE INCHES	±.0015	±.0381
XXX=2.000, XXX=1.015	±.0015	±.0381
XXX=1.127, XXX=2.95	±.0015	±.0381
ANGLE PROJECTION		
DO NOT SCALE DRAWING		

PARTS LIST		DESCRIPTION	ITEM NO.
COILWS.COM, INC	CWS Coil Winding Specialist,		
WWW.COILWS.COM	1510 E. Edinger Ave.,		
	Unit B, Santa Ana, CA, 92705		
TITLE:		Surface Mount	
		Power Chokes	