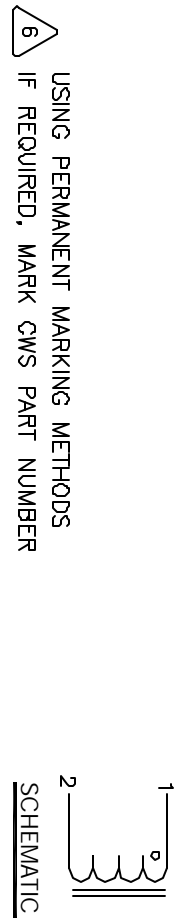


The information contained in this drawing is the sole property of CWS Coil Winding Specialist. Any reproduction in part or whole without written permission of CWS Coil Winding Specialist is prohibited.

REVISION HISTORY		DESCRIPTION		SBN & DATE	
REV	ECN	DESCRIPTION	BR	DATE	CHK
A		PRODUCTION RELEASE	TKK	7/22/04	TKK



6 USING PERMANENT MARKING METHODS  
 IF REQUIRED, MARK CWS PART NUMBER

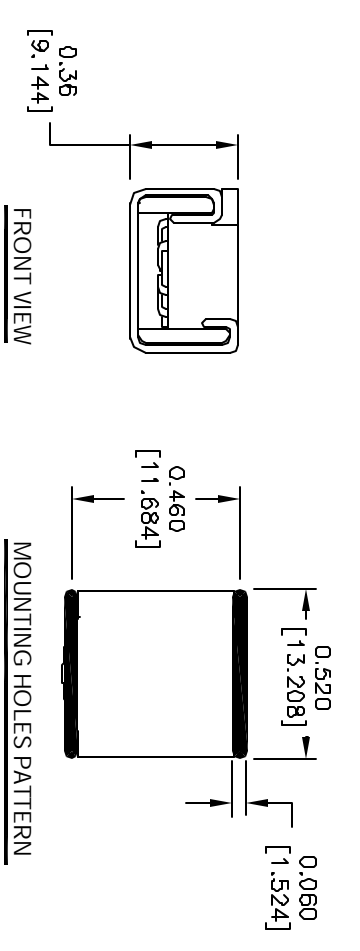
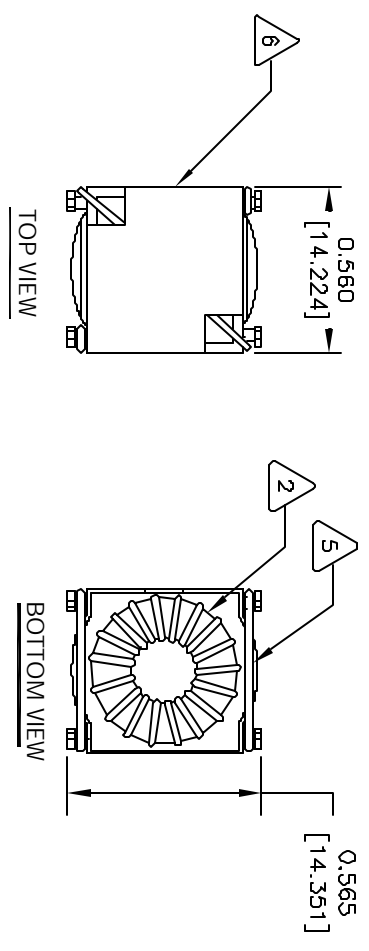
5 LEADS MUST BE CO-PLANAR WITH FLAT SURFACE  
 REMOVE INSULATION, TIN LEADS SECTION THAT WRAP AROUND BOBBIN

4 WIND COILS EVENLY SPACED  
 CONSTRUCTION:  
 HI-POT TEST FOR WINDING TO CORE ISOLATION = 500 VDC MIN  
 SRF = 6 MHZ MIN.  
 CURRENT RATING = 1.6 AMPS, 40 °C TEMP. RISE, NO AIR FLOW  
 DCR = 155.0 MILLI-OHMS

3 DC BIAS OF 1.7 AMPS, INDUCTANCE = 80.0 UH  
 L = 100 uH ± 10 % @ LOW DC BIAS, 1 KHZ; 250 mV  
 SPECIFICATIONS:

2 WIRE: UL RECOGNIZED 155°C RATED MAGNET WIRE  
 CWS BYTEMARK OR OTHER APPROVED PART  
 CORE: COATED HIGH FLUX TOROID

1. RATING CLASS B (130°C MIN.) REQUIRED  
 MATERIAL: UL RECOGNIZED 94V-0 FLAMMABILITY  
 NOTES: SURFACE MOUNT INDUCTOR



CODE	IDENT	MFG. P/N	DESCRIPTION	ITEM NO.
			PARTS LIST	
			CWS Coil Winding Specialist	
			1510 E. Edinger Ave.	
			Unit B, Santa Ana, CA, 92705	
			TITLE:	
			Surface Mount	
			Power Chokes	
			SIZE (INS. IN.)	
			B	
			SHF102-101M-1.6A	
			SCALE	
			1=1	
			SHEET	
			1	
			OF	
			1	