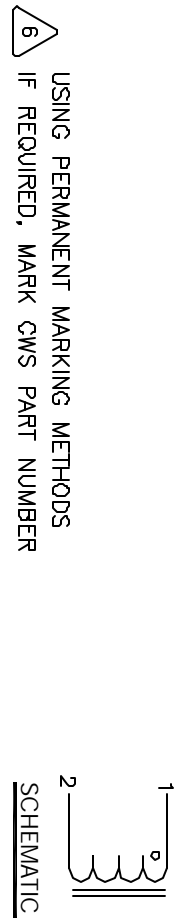


The information contained in this drawing is the sole property of CWS Coil Winding Specialist. Any reproduction in part or whole without written permission of CWS Coil Winding Specialist is prohibited.

REVISION HISTORY			
REV	ECN	DESCRIPTION	DATE
A		PRODUCTION RELEASE	7/22/04



6 USING PERMANENT MARKING METHODS
 IF REQUIRED, MARK CWS PART NUMBER

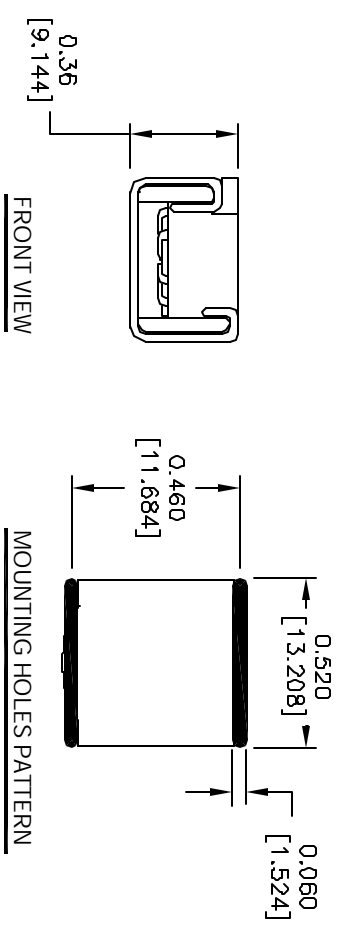
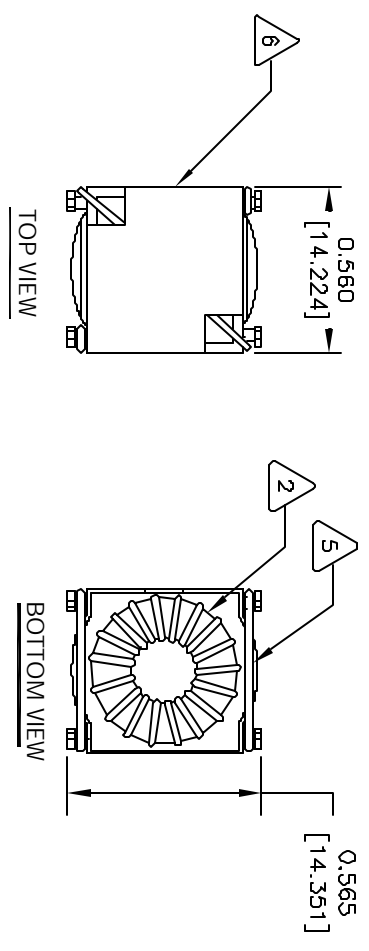
5 LEADS MUST BE CO-PLANAR WITH FLAT SURFACE
 REMOVE INSULATION, TIN LEADS SECTION THAT WRAP AROUND BOBBIN

4 WIND COILS EVENLY SPACED
 CONSTRUCTION:
 HI-POT TEST FOR WINDING TO CORE ISOLATION = 500 VDC MIN
 SRF = 3.5 MHZ MIN.
 CURRENT RATING = 1.45 AMPS, 40 °C TEMP. RISE, NO AIR FLOW
 DCR = 190.0 MILLI-OHMS

3 DC BIAS OF 1.4 AMPS, INDUCTANCE = 120.0 UH
 L = 150 UH ± 10 % @ LOW DC BIAS, 1 KHZ; 250 mV
 SPECIFICATIONS:

2 WIRE: UL RECOGNIZED 155°C RATED MAGNET WIRE
 CWS BYTEMARK OR OTHER APPROVED PART
 CORE: COATED HIGH FLUX TOROID

1. RATING CLASS B (130°C MIN.) REQUIRED
 MATERIAL: UL RECOGNIZED 94V-0 FLAMMABILITY
 NOTES: SURFACE MOUNT INDUCTOR



CODE	IDENT	MFG. P/N	DESCRIPTION	ITEM NO.
			PARTS LIST	
			COILS COM, INC	
			WWW.COILS.COM	
			CWS Coil Winding Specialist	
			1510 E. Edinger Ave.	
			Unit B, Santa Ana, CA, 92705	
			TITLE:	
			Surface Mount	
			Power Chokes	
			SIZE (INCHES)	
			B	
			SHF102-151M-1.5A	
			SCALE	
			1=1	
			SHEET	
			1	
			OF	
			1	