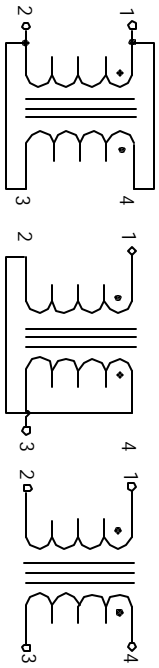


The information contained in this drawing is the sole property of CMS Coil Winding Specialist. Any reproduction in part or whole without written permission of CMS Coil Winding Specialist is prohibited.

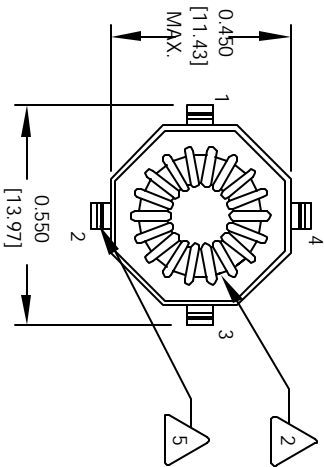
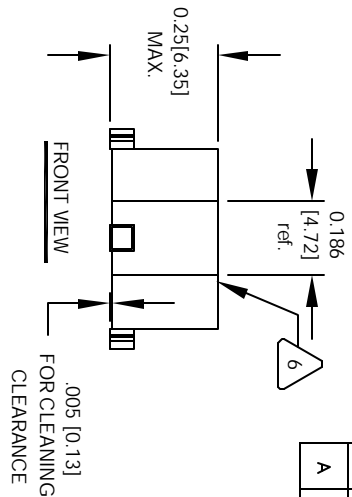


- 6 AND REVISION WHERE SHOWN IF APPLICABLE MARK PART NUMBER
- 5 REMOVE INSULATION AND TIN LEADS
- 4 WIND ON TO CORE AND EVENLY SPACED CONSTRUCTION:

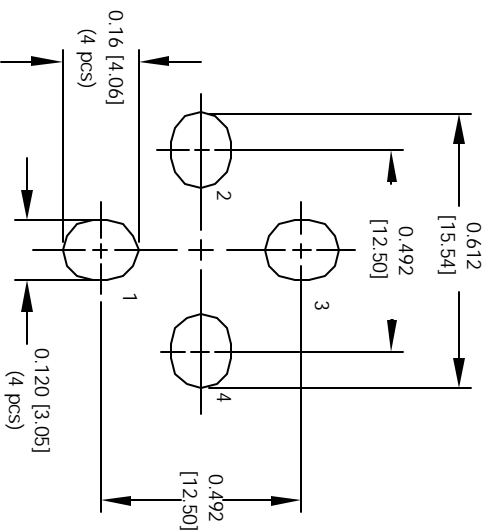
TO INSURE INTERGRITY OF WINDING SEPARATION HI-POT TEST FOR WINDING TO WINDING = 300 VDC MIN.  
 MAX DCR IS ± 15% OF TYPICAL VALUE  
 SERIES DCR = 0.0158 OHMS TYP @ 20 °C  
 SERIES RMS CURRENT = 5.28 AMPS.  
 PARALLEL: (1-4 - 3-2), SERIES: (1 - 3) TIE (2 - 4), @ 100 KHZ, 0.250 VRMS, 0.0 ADC,  
 SERIES OPEN CIRCUIT INDUCTANCE = 2.98 uH ± 25 %  
 MAX DCR IS ± 15% OF TYPICAL VALUE  
 PARALLEL DCR = 0.004 OHMS TYP @ 20 °C,  
 DELTA TEMP 40 °C, AMBIENT TEMP 85 °C,  
 PARALLEL RMS CURRENT = 10.6 AMPS @ PARALLEL (1-4 - 3-2), SERIES (1 - 3) TIE (2 - 4), @ 100 KHZ, 0.250 VRMS, 0.0 ADC,  
 PARALLEL OPEN CIRCUIT INDUCTANCE = 0.744 uH ± 25 %,  
 PARALLEL RATED INDUCTANCE = 0.68 uH

- 3 SPECIFICATIONS:

- 2 WIRE: UL RECOGNIZED 130°C RATING MAGNET WIRE  
 CWS BYTE-MARK OR OTHER APPROVED PART  
 CORE: TOROID
- 1 BOBBIN RATING CLASS B (130°C) REQUIRED  
 MATERIAL: UL RECOGNIZED 94V-0 FOR FLAMMABILITY  
 NOTES: UNLESS OTHERWISE SPECIFIED.



BOTTOM VIEW



MOUNTING HOLES PATTERN

REVISION HISTORY		REV		ECN		DESCRIPTION		BY		DATE	
A							PRODUCTION RELEASE	RPR	7/09/04	JLU	7/08/04

QTY	CODE	MFG. P/N	DESCRIPTION	ITEM NO.
	IDENT			
<b>PARTS LIST</b>				
AUTOPART		CWS Coil Winding Specialist		
SCALEWORKS		1510 E. Edinger Ave.		
SIGN		WWW.COILWS.COM		
DATE		Unit B, Santa Ana, CA, 92705		
TITLE: Parallel Series Inductor				
DRAWN	RPR	7/06/04		
RECD	JLU	7/08/04		
ENGR.	KSUM	7/06/04		
APPR.	JLU	7/06/04		
SIZE		DWC WA		
SCALE		B		
PART NO.		CX0.68-4-HF		
REV		A		
SHEET		1 OF 1		

UNLESS OTHERWISE SPECIFIED  
 DIMENSIONS AND TOLERANCE PER ANSI Y14.5M AND DIMENSIONS ARE IN INCHES AND (MILLIMETERS).  
 TOLERANCE INCHES: .0005 ± .010 .010 ± .015 .015 ± .020 .020 ± .030 .030 ± .050 .050 ± .075 .075 ± .100 .100 ± .150  
 TOLERANCE METRICKS: .0005 ± .025 .025 ± .050 .050 ± .075 .075 ± .100 .100 ± .150  
 ANGLE PROJECTION: FIRST ANGLE  
 DO NOT SCALE DRAWING