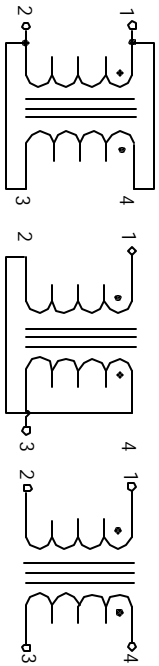


The information contained in this drawing is the sole property of CMS Coil Winding Specialist. Any reproduction in part or whole without written permission of CMS Coil Winding Specialist is prohibited.



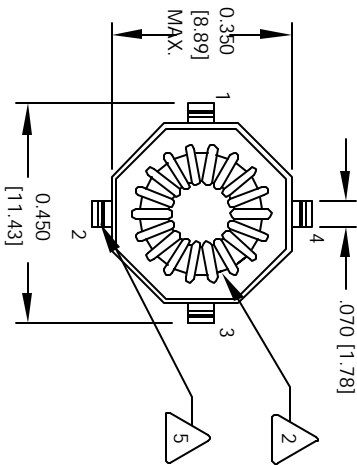
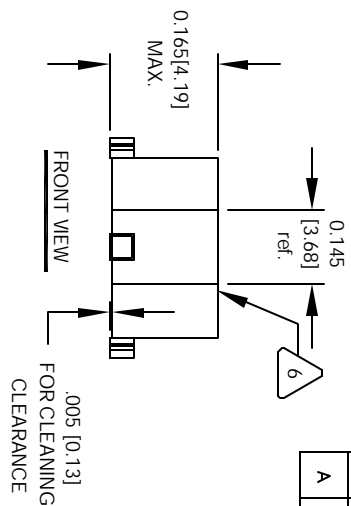
- 6 AND REVISION WHERE SHOWN IF APPLICABLE MARK PART NUMBER
- 5 REMOVE INSULATION AND TIN LEADS
- 4 WIND ON TO CORE AND EVENLY SPACED CONSTRUCTION:

TO INSURE INTERGRITY OF WINDING SEPARATION HI-POT TEST FOR WINDING TO WINDING = 300 VDC MIN.
 MAX DCR IS ± 15% OF TYPICAL VALUE.
 SERIES DCR = 3.366 OHMS TYP @ 20 °C
 SERIES RMS CURRENT = 0.34 AMPS.
 PARALLEL: (1-4 - 3-2), SERIES: (1 - 3) TIE (2 - 4), @ 100 KHZ, 0.250 VRMS, 0.0 ADC,
 SERIES OPEN CIRCUIT INDUCTANCE = 611.80 uH ± 25 %, MAX DCR IS ± 15% OF TYPICAL VALUE
 PARALLEL DCR = 0.842 OHMS TYP @ 20 °C,
 DELTA TEMP 40 °C, AMBIENT TEMP 85 °C,
 PARALLEL RMS CURRENT = 0.68 AMPS @ PARALLEL (1-4 - 3-2), SERIES (1 - 3) TIE (2 - 4), @ 100 KHZ, 0.250 VRMS, 0.0 ADC,
 PARALLEL OPEN CIRCUIT INDUCTANCE = 152.9 uH ± 25 %, PARALLEL RATED INDUCTANCE = 150.0 uH

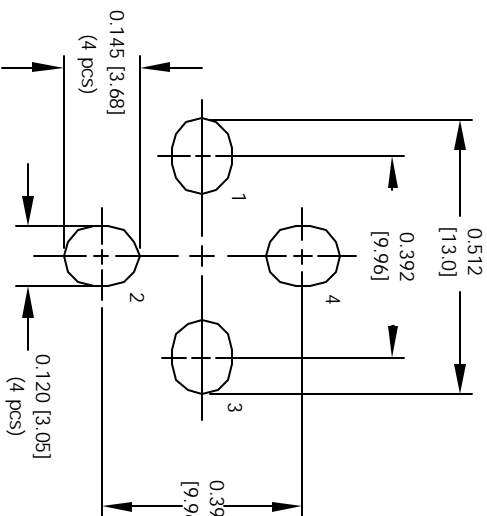
- 3 SPECIFICATIONS:

- 2 WIRE: UL RECOGNIZED 130°C RATING MAGNET WIRE
 CWS BYTE-MARK OR OTHER APPROVED PART
 CORE: TOROID
- 1 BOBBIN RATING CLASS B (130°C) REQUIRED
 MATERIAL: UL RECOGNIZED 94V-0 FOR FLAMMABILITY
 NOTES: UNLESS OTHERWISE SPECIFIED.

EP FORM0005 REV 3 10/01



BOTTOM VIEW



MOUNTING HOLES PATTERN

REVISION HISTORY		REV		ECN		DESCRIPTION		BY		DATE	
A							PRODUCTION RELEASE	RPR	7/09/04	JLU	7/09/04

QTY	CODE	MFG. P/N	DESCRIPTION	ITEM NO.
	IDENT			
PARTS LIST				
AUTOPART		CWS Coil Winding Specialist		
SCALEWORKS		1510 E. Edinger Ave.		
SIGN		Unit B, Santa Ana, CA, 92705		
DATE		TITLE		
7/06/04	RPR	Parallel Series Inductor		
7/06/04	JLU			
7/06/04	ENR			
7/06/04	APR			
SIZE		DWG. NO.		REV
B		CX150-2-HF		A
SCALE		4=1		SHEET 1 OF 1

CAD-FILE: