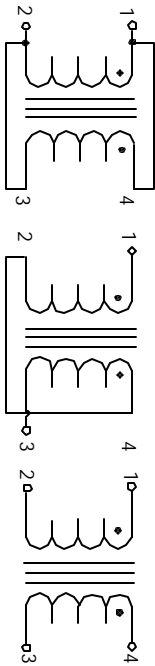


The information contained in this drawing is the sole property of CMS Coil Winding Specialist. Any reproduction in part or whole without written permission of CMS Coil Winding Specialist is prohibited.

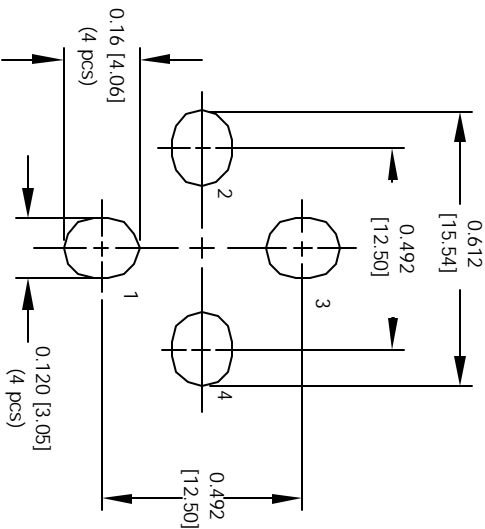
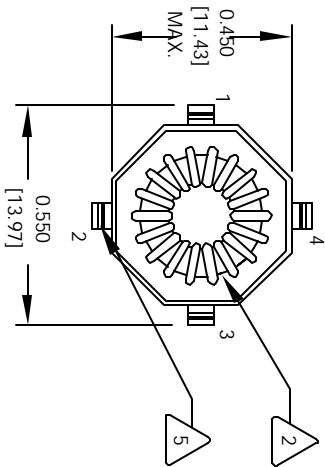
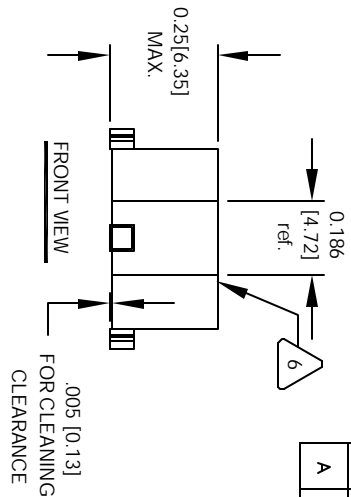


- 6 AND REVISION WHERE SHOWN IF APPLICABLE MARK PART NUMBER
- 5 REMOVE INSULATION AND TIN LEADS
- 4 WIND ON TO CORE AND EVENLY SPACED CONSTRUCTION:

TO INSURE INTERGRITY OF WINDING SEPARATION HI-POT TEST FOR WINDING TO WINDING = 300 VDC MIN.
 MAX DCR IS ± 15% OF TYPICAL VALUE
 SERIES RMS CURRENT = 4.19 AMPS.
 PARALLEL: (1-4 - 3-2), SERIES: (1 - 3) TIE (2 - 4), @ 100 KHZ, 0.250 VRMS, 0.0 ADC,
 SERIES OPEN CIRCUIT INDUCTANCE = 8.70 uH ± 25 %
 MAX DCR IS ± 15% OF TYPICAL VALUE
 PARALLEL DCR = 0.0063 OHMS TYP @ 20 °C,
 DELTA TEMP 40 °C, AMBIENT TEMP 85 °C,
 PARALLEL RMS CURRENT = 8.38 AMPS @ PARALLEL (1-4 - 3-2), SERIES (1 - 3) TIE (2 - 4), @ 100 KHZ, 0.250 VRMS, 0.0 ADC,
 PARALLEL OPEN CIRCUIT INDUCTANCE = 2.18 uH ± 25 %,
 PARALLEL RATED INDUCTANCE = 2.0 uH

- 3 SPECIFICATIONS:

- 2 WIRE: UL RECOGNIZED 130°C RATING MAGNET WIRE
 CWS BYTE-MARK OR OTHER APPROVED PART
 CORE: TOROID
- 1 BOBBIN RATING CLASS B (130°C) REQUIRED
 MATERIAL: UL RECOGNIZED 94V-0 FOR FLAMMABILITY
 NOTES: UNLESS OTHERWISE SPECIFIED.



REVISION HISTORY		REV		ECN		DESCRIPTION		BY		DATE	
A							PRODUCTION RELEASE	RPR	7/09/04	JLU	7/08/04

QTY	CODE	MFG. P/N	DESCRIPTION	ITEM NO.																				
	IDENT																							
PARTS LIST																								
<table border="0"> <tr> <td>AUTOPAD</td> <td>X</td> <td colspan="3">CWS Coil Winding Specialist</td> </tr> <tr> <td>SCALE</td> <td></td> <td colspan="3">1510 E. Edinger Ave.</td> </tr> <tr> <td>SCALE</td> <td></td> <td colspan="3">WWW.COILWS.COM</td> </tr> <tr> <td>SCALE</td> <td></td> <td colspan="3">Unit B, Santa Ana, CA, 92705</td> </tr> </table>					AUTOPAD	X	CWS Coil Winding Specialist			SCALE		1510 E. Edinger Ave.			SCALE		WWW.COILWS.COM			SCALE		Unit B, Santa Ana, CA, 92705		
AUTOPAD	X	CWS Coil Winding Specialist																						
SCALE		1510 E. Edinger Ave.																						
SCALE		WWW.COILWS.COM																						
SCALE		Unit B, Santa Ana, CA, 92705																						
Parallel Series Inductor																								
DATE	7/06/04	DATE	7/06/04	DATE																				
APPR	JLU	APPR	JLU	APPR																				
DATE	7/06/04	DATE	7/06/04	DATE																				
SCALE	B	SCALE	B	SCALE																				
SCALE	4=1	SCALE	4=1	SCALE																				
REV	A	REV	A	REV																				
REV	A	REV	A	REV																				
SHEET	1	SHEET	1	SHEET																				
OF	1	OF	1	OF																				
OF	1	OF	1	OF																				