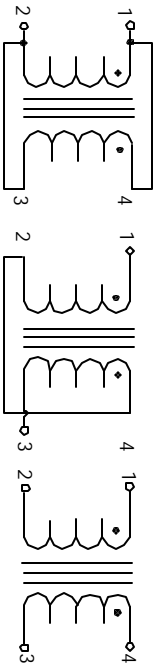


The information contained in this drawing is the sole property of CMS Coil Winding Specialist. Any reproduction in part or whole without written permission of CMS Coil Winding Specialist is prohibited.

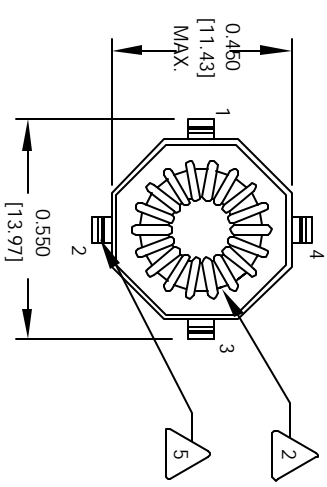
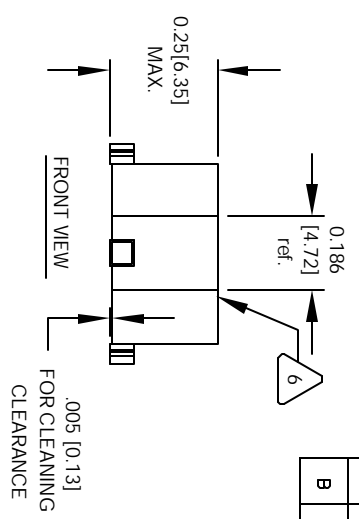


- 6 AND REVISION WHERE SHOWN IF APPLICABLE MARK PART NUMBER
- 5 REMOVE INSULATION AND TIN LEADS
- 4 WIND ON TO CORE AND EVENLY SPACED CONSTRUCTION:

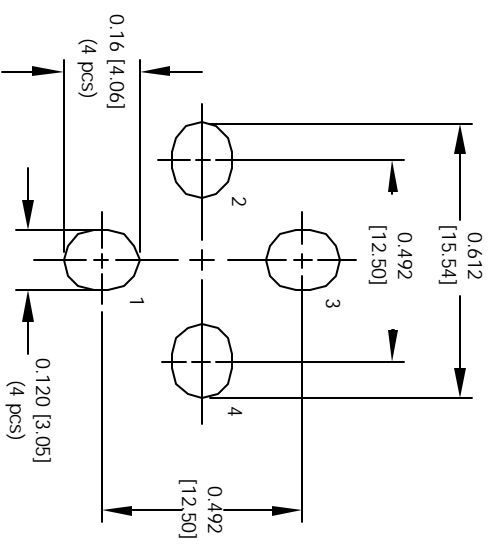
TO INSURE INTERGRITY OF WINDING SEPARATION HI-POT TEST FOR WINDING TO WINDING = 300 VDC MIN.
 MAX DCR IS ± 15% OF TYPICAL VALUE.
 SERIES DCR = 2.085 OHMS TYP @ 20 °C
 SERIES RMS CURRENT = 0.46 AMPS.
 PARALLEL: (1-4 - 3-2), SERIES: (1 - 3) TIE (2 - 4), @ 100 KHZ, 0.250 VRMS, 0.0 ADC,
 SERIES OPEN CIRCUIT INDUCTANCE = 801.8 uH ± 25 %, MAX DCR IS ± 15% OF TYPICAL VALUE
 PARALLEL DCR = 0.521 OHMS TYP @ 20 °C,
 DELTA TEMP 40 °C, AMBIENT TEMP 85 °C,
 PARALLEL RMS CURRENT = 0.92 AMPS @ PARALLEL (1-4 - 3-2), SERIES (1 - 3) TIE (2 - 4), @ 100 KHZ, 0.250 VRMS, 0.0 ADC,
 PARALLEL OPEN CIRCUIT INDUCTANCE = 200.4 uH ± 25 %, PARALLEL RATED INDUCTANCE = 200.0 uH

- 3 SPECIFICATIONS:

- 2 WIRE: UL RECOGNIZED 130°C RATING MAGNET WIRE
 CWS BYTE-MARK OR OTHER APPROVED PART
 CORE: TOROID
 - 1 BOBBIN RATING CLASS B (130°C) REQUIRED
 MATERIAL: UL RECOGNIZED 94V-0 FOR FLAMMABILITY
- NOTES: UNLESS OTHERWISE SPECIFIED, READ FROM BOTTOM UP.



BOTTOM VIEW



MOUNTING HOLES PATTERN

REVISION HISTORY		REV		ECN		DESCRIPTION		BY		DATE	
B						PRODUCTION RELEASE		RPR	4/28/05	JLU	4/28/05

QTY	CODE	MFG. P/N	DESCRIPTION	ITEM NO.
	IDENT			
PARTS LIST				
AUTOPART			X	
SCALEWORKS			SIGN	
DRAWN			DATE	
CHECKED			DATE	
APPR.			DATE	
TITLE			CWS Coil Winding Specialist	
SIZE			DWC WA	
SCALE			CX200-4-HF	
SHEET			1 OF 1	