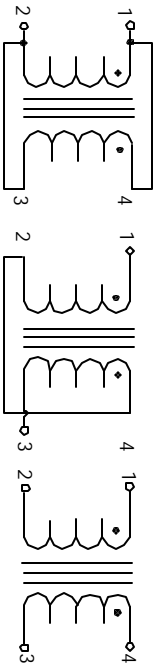


The information contained in this drawing is the sole property of CMS Coil Winding Specialist. Any reproduction in part or whole without written permission of CMS Coil Winding Specialist is prohibited.



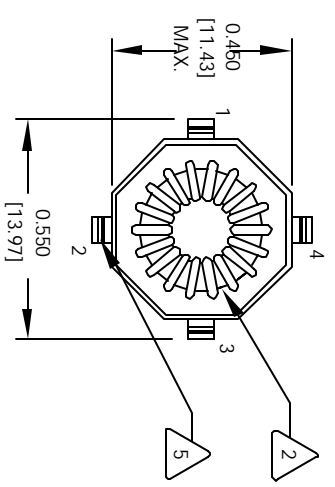
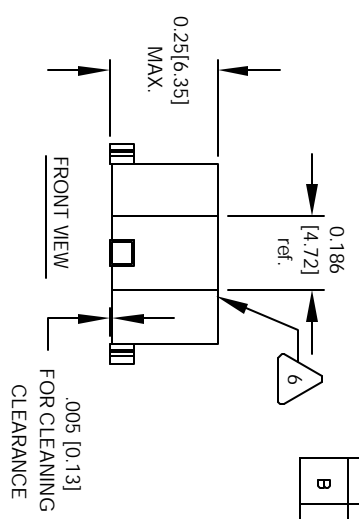
- 6 AND REVISION WHERE SHOWN IF APPLICABLE MARK PART NUMBER
- 5 REMOVE INSULATION AND TIN LEADS
- 4 WIND ON TO CORE AND EVENLY SPACED CONSTRUCTION:

TO INSURE INTERGRITY OF WINDING SEPARATION HI-POT TEST FOR WINDING TO WINDING = 3000 VDC MIN.  
 MAX DCR IS ± 15% OF TYPICAL VALUE.  
 SERIES DCR = 3.148 OHMS TYP @ 20 °C  
 SERIES RMS CURRENT = 0.37 AMPS.  
 PARALLEL: (1-4 - 3-2), SERIES: (1 - 3) TIE (2 - 4), @ 100 KHZ, 0.250 VRMS, 0.0 ADC,  
 SERIES OPEN CIRCUIT INDUCTANCE = 1211 uH ± 25 %  
 MAX DCR IS ± 15% OF TYPICAL VALUE  
 PARALLEL DCR = 0.787 OHMS TYP @ 20 °C,  
 DELTA TEMP 40 °C, AMBIENT TEMP 85 °C,  
 PARALLEL RMS CURRENT = 0.75 AMPS @ PARALLEL (1-4 - 3-2), SERIES (1 - 3) TIE (2 - 4), @ 100 KHZ, 0.250 VRMS, 0.0 ADC,  
 PARALLEL OPEN CIRCUIT INDUCTANCE = 302.8 uH ± 25 %,  
 PARALLEL RATED INDUCTANCE = 300.0 uH

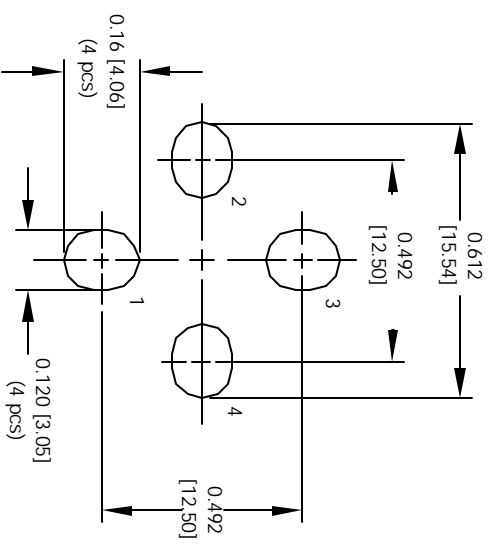
- 3 SPECIFICATIONS:

WIRE: UL RECOGNIZED 130°C RATING MAGNET WIRE  
 CWS BYTE-MARK OR OTHER APPROVED PART  
 CORE: TOROID  
 BOBBIN RATING CLASS B (130°C) REQUIRED  
 MATERIAL: UL RECOGNIZED 94V-0 FOR FLAMMABILITY  
 NOTES: UNLESS OTHERWISE SPECIFIED, READ FROM BOTTOM UP.

EP FORM0005 REV 3 10/01



BOTTOM VIEW



MOUNTING HOLES PATTERN

REVISION HISTORY				
REV	ECN	DESCRIPTION	BY	DATE
B		PRODUCTION RELEASE	RPR	4/28/05

QTY	CODE	MFG. P/N	DESCRIPTION	ITEM NO.
	IDENT			
<b>PARTS LIST</b>				
AUTOPART		CWS Coil Winding Specialist		
SCALEWORKS		1510 E. Edinger Ave.		
SIGN		Unit B, Santa Ana, CA, 92705		
DATE		TITLE		
DRAWN		Parallel Series Inductor		
CHECKED				
APPR.				
DATE		SIZE		REV
4/28/05		B		B
4/28/05		4=1		1 OF 1

CAD-FILE: