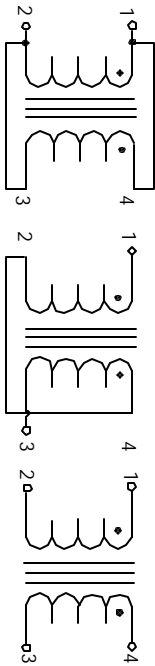


The information contained in this drawing is the sole property of CMS Coil Winding Specialist. Any reproduction in part or whole without written permission of CMS Coil Winding Specialist is prohibited.



AND REVISION WHERE SHOWN  
IF APPLICABLE MARK PART NUMBER

- 6 REMOVE INSULATION AND TIN LEADS
- 5 WIND ON TO CORE AND EVENLY SPACED
- 4 CONSTRUCTION:

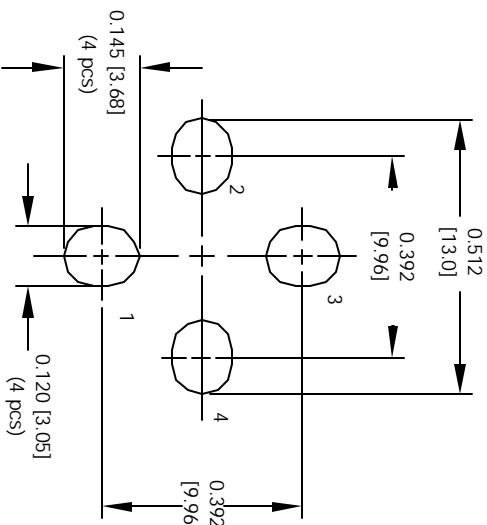
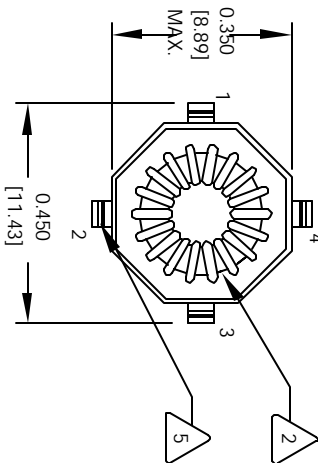
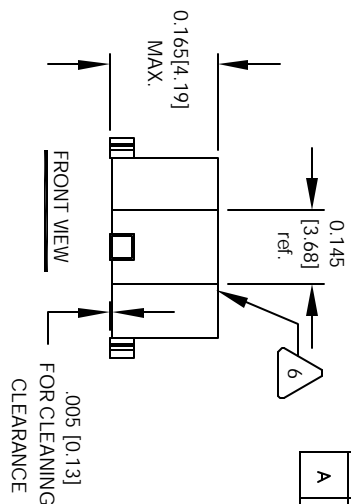
TO INSURE INTERGRITY OF WINDING SEPARATION  
HI-POT TEST FOR WINDING TO WINDING = 300 VDC MIN.  
MAX DCR IS ± 15% OF TYPICAL VALUE.  
MAX DCR IS ± 15% OF TYPICAL VALUE.  
SERIES DCR = 0.0840 OHMS TYP @ 20 °C  
SERIES RMS CURRENT = 2.17 AMPS.  
PARALLEL: (1-4-3-2), SERIES: (1-3) TIE (2-4),  
@ 100 KHZ, 0.250 VRMS, 0.0 ADC,  
SERIES OPEN CIRCUIT INDUCTANCE = 20.22 uH ± 25 %.

MAX DCR IS ± 15% OF TYPICAL VALUE  
PARALLEL DCR = 0.021 OHMS TYP @ 20 °C,  
DELTA TEMP 40 °C, AMBIENT TEMP 85 °C.  
PARALLEL RMS CURRENT = 4.34 AMPS @  
PARALLEL: (1-4-3-2), SERIES: (1-3) TIE (2-4),  
@ 100 KHZ, 0.250 VRMS, 0.0 ADC,  
PARALLEL OPEN CIRCUIT INDUCTANCE = 5.06 uH ± 25 %,  
PARALLEL RATED INDUCTANCE = 5.0 uH

- 3 SPECIFICATIONS:

WIRE: UL RECOGNIZED 130°C RATING MAGNET WIRE  
CWS BYTEMARK OR OTHER APPROVED PART  
CORE: TOROID

- 2 BOBBIN RATING CLASS B (130°C) REQUIRED
  - 1 MATERIAL: UL RECOGNIZED 94V-0 FOR FLAMMABILITY
- NOTES: UNLESS OTHERWISE SPECIFIED.



REVISION HISTORY				
REV	ECN	DESCRIPTION	BY	DATE
A		PRODUCTION RELEASE	RPR	7/09/04

UNLESS OTHERWISE SPECIFIED	
DIMENSIONING AND TOLERANCE PER ANSI Y14.5M	
ALL DIMENSIONS ARE IN INCHES AND (MILLIMETERS).	
TOLERANCE INCHES	±.0005
±.0005	±.0015
±.0015	±.0030
TOLERANCE METRICES	±.0030
±.0030	±.0075
±.0075	±.0150
ANGLE PROJECTION	AS SHOWN
DO NOT SCALE DRAWING	

QTY	CODE	MFG. P/N	DESCRIPTION	ITEM NO.
	IDENT			
PARTS LIST				
AUTOPART		X		
SCALEWORKS		COILS COM, INC		
SIGN	DATE	WWW.COILS.COM		
TITLE				
Parallel Series Inductor				
DRAWN	DATE	CWS Coil Winding Specialist		
RRR	7/06/04	1510 E. Edinger Ave.		
UNIT B, SANTA ANA, CA, 92705				
RECD	DATE			
JLAW	7/06/04			
SIZE: DIM. IN.				
B				
APPR	DATE	CX5-2-HF		
JLAW	7/06/04			
SCALE				
4=1				
SHEET 1 OF 1				REV A