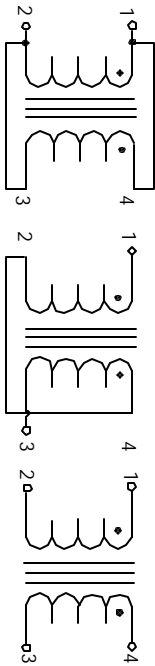


The information contained in this drawing is the sole property of CMS Coil Winding Specialist. Any reproduction in part or whole without written permission of CMS Coil Winding Specialist is prohibited.

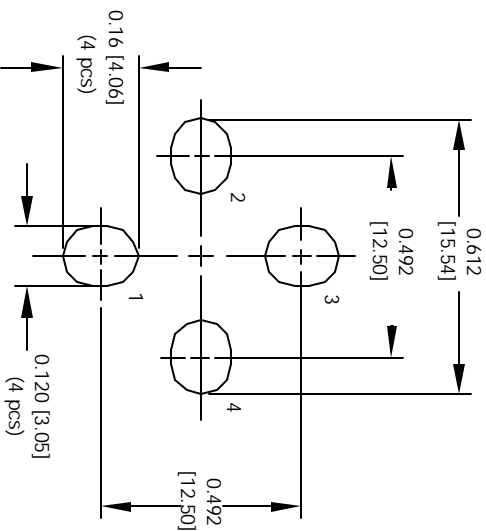
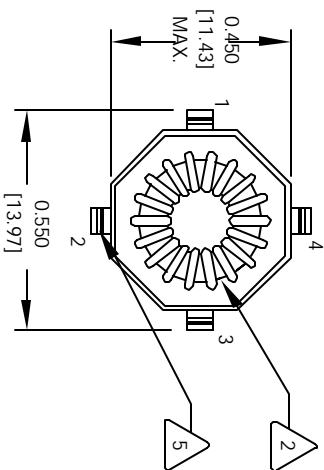
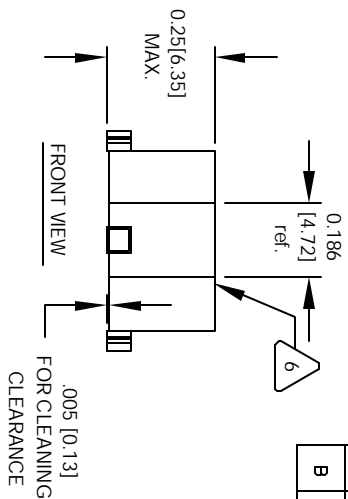


- 6 AND REVISION WHERE SHOWN IF APPLICABLE MARK PART NUMBER
- 5 REMOVE INSULATION AND TIN LEADS
- 4 WIND ON TO CORE AND EVENLY SPACED CONSTRUCTION:

TO INSURE INTERGRITY OF WINDING SEPARATION HI-POT TEST FOR WINDING TO WINDING = 300 VDC MIN.
 MAX DCR IS ± 15% OF TYPICAL VALUE
 SERIES DCR = 0.0339 OHMS TYP @ 20 °C
 SERIES RMS CURRENT = 3.61 AMPS.
 PARALLEL: (1-4 - 3-2), SERIES: (1 - 3) TIE (2 - 4), @ 100 KHZ, 0.250 VRMS, 0.0 ADC,
 SERIES OPEN CIRCUIT INDUCTANCE = 17.05 uH ± 25%,
 MAX DCR IS ± 15% OF TYPICAL VALUE
 PARALLEL DCR = 0.0085 OHMS TYP @ 20 °C,
 DELTA TEMP 40 °C, AMBIENT TEMP 85 °C,
 PARALLEL RMS CURRENT = 7.21 AMPS @ PARALLEL (1-4 - 3-2), SERIES (1 - 3) TIE (2 - 4), @ 100 KHZ, 0.250 VRMS, 0.0 ADC,
 PARALLEL OPEN CIRCUIT INDUCTANCE = 4.26 uH ± 25%,
 PARALLEL RATED INDUCTANCE = 5.0 uH

- 3 SPECIFICATIONS:

- 2 WIRE: UL RECOGNIZED 130°C RATING MAGNET WIRE
 CWS BYTE-MARK OR OTHER APPROVED PART
 CORE: TOROID
- 1 BOBBIN RATING CLASS B (130°C) REQUIRED
 MATERIAL: UL RECOGNIZED 94V-0 FOR FLAMMABILITY
 NOTES: UNLESS OTHERWISE SPECIFIED.



REVISION HISTORY		REV		ECN		DESCRIPTION		BY		DATE	
B							PRODUCTION RELEASE	RPR	4/28/05	JLU	4/28/05

UNLESS OTHERWISE SPECIFIED	
DIMENSIONING AND TOLERANCE PER ANSI Y14.5M	ALL DIMENSIONS ARE IN INCHES AND (MILLIMETERS).
TOLERANCE INCHES	±.0005 ±.010 ±.015 ±.030 ±.050 ±.100
TOLERANCE METRICKS	±.0005 ±.025 ±.050 ±.100 ±.150 ±.300
ANGLE PROJECTION	45°
DO NOT SCALE DRAWING	

QTY	CODE	MFG. P/N	DESCRIPTION	ITEM NO.
	IDENT			
PARTS LIST				
AUTOPART		X		
SCALEWORKS		COILS COM, INC		
SIGN		WWW.COILS.COM		
DATE		1310 E. Edinger Ave, Unit B, Santa Ana, CA, 92705		
DRAWN		RPR		
DATE		4/26/05		
CHECKED		JLU		
DATE		4/26/05		
ENGR.		KSUM		
APPR.		JLU		
DATE		4/28/05		
SCALE		B		
SIZE		DWC, MA		
REV		CX5-4-HF		
SHEET		1 OF 1		