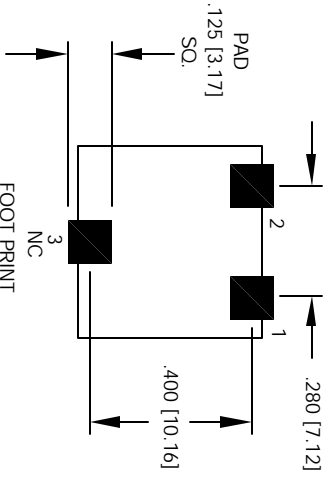
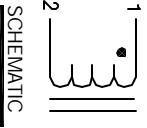
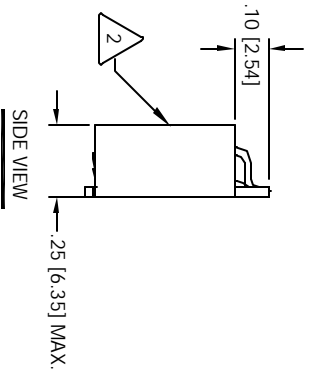
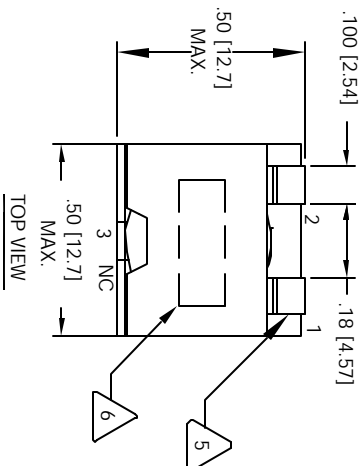


The information contained in this drawing is the sole property of CWS Coil Winding Specialist. Any reproduction in part or whole without written permission of CWS Coil Winding Specialist is prohibited.

REVISION HISTORY

REV	ECN	DESCRIPTION	DATE	CHK	DATE
B		PRE-PRODUCTION RELEASE	5/30/03	TKK	5/30/03



6 WHERE SHOWN, USING A PERMANENT MARKING METHOD  
MARK PART NUMBER AND REVISION IN APPROX

5 THE LEAD MUST REST FLAT ON PCB  
REMOVE INSULATION AND TIN LEADS APPROX. 0.10 INCH

4 HELIX WIND 7 TURNS TIGHT TO CORE AND EVENLY SPACED  
CONSTRUCTION:

3 TO INSURE INTERGRITY OF WINDING INSULATION  
HI-POT (2 SECOND, 5mA MAX.) 300 VRMS WINDING TO CORE  
DCR = MEASURED USING QUADTECH 2200 = 2.5 MOHM MAX.  
L = MEASURED AT 0.01V NO DC BIAS = 1.0 uH ± 20%  
SPECIFICATIONS: CURRENT RATING: 20 AMPS

EPOXY: 2 PARTS A & B (600°F, 315°C)  
OUTER WRAP: 3M OR OTHER CWS APPROVED PART  
WIRE: UL RECOGNIZED 200°C RATED MAGNET WIRE

2 CORE: GAPPED FERRITE

1 HELICAL COIL RATING 200°C REQUIRED  
MATERIAL: UL RECOGNIZED 94V-0 FOR FLAMMABILITY  
PART NUMBER: SE-1306H-1ROM

UNLESS OTHERWISE SPECIFIED	
DRAWING AND TOLERANCE PER ANSI Y14.5M	
ALL DIMENSIONS ARE IN INCHES AND [MILLIMETERS]	
TOLERANCE INCHES	±.005
TOLERANCE METERS	±.015
ANGLE PROJECTION	AS SHOWN
DO NOT SCALE DRAWING	

QTY	UM	CODE IDENT	MFG. P/N	DESCRIPTION	ITEM NO.
		X			
PARTS LIST					
AUTOCAD SOLIDWORKS SIGN			CWS Coil Winding Specialist 1510 E. Edinger Ave. Unit B, Santa Ana, CA, 92705		
TITLE: Surface Mount Inductors					
DATE	APPR.	DATE	DATE	DATE	DATE
5/30/03	JLAW	5/30/03	5/30/03	5/30/03	5/30/03
SIZE: DIM. IN. SCALE: B			REV: A		
4=1			SHEET 1 OF 1		