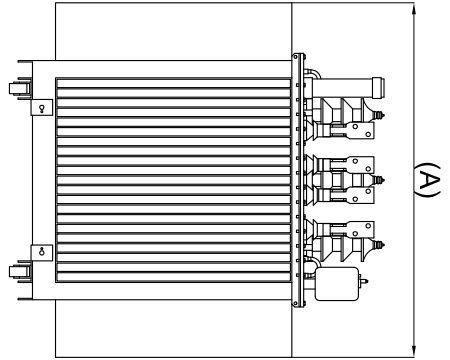


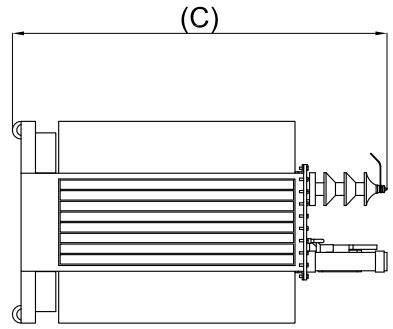
The information contained in this drawing is the sole property of Coil Winding Specialist Inc. (CWS)
 Any reproduction in part or whole without written permission of CWS is prohibited.

DIMENSIONAL TOLERANCE INCHES [MM]			
A	B	C	
TYP	TYP	TYP	
82.70 [2100]	61.81 [1570]	61.81 [1570]	

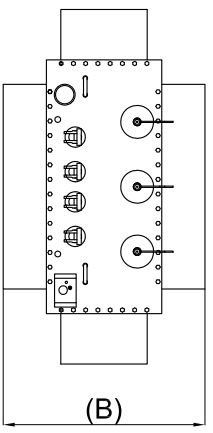
REVISION HISTORY			
REV	ECN	DESCRIPTION	SIGN & DATE
A	N/A	PRODUCTION RELEASE	BY: AK DATE: 05/10/16 CHK: JL DATE: 05/10/16



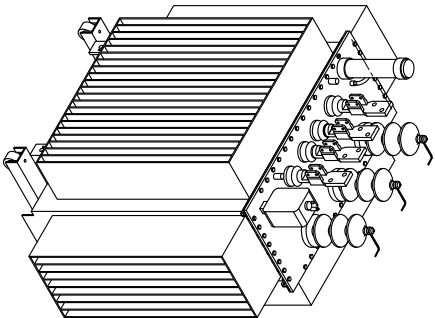
FRONT VIEW



SIDE VIEW



TOP VIEW



ISOMETRIC VIEW

- Frequency: 50 / 60 Hz
 - Phase: 3 Phase
 - High Voltage (HV, VAC): 22,900 Volts
 - Low voltage (LV, VAC): 415 Volts
 - Weight: 2710Kgs
 - KVA Rating: 1000 KVA
- SPECIFICATIONS:
- MATERIAL: UL RECOGNIZED
 -

NOTES: UNLESS OTHERWISE SPECIFIED READ FROM BOTTOM UP.

CAGE CODE: SDME2

UNLESS OTHERWISE SPECIFIED		AUTOCAD	
DIMENSIONING AND TOLERANCE PER ANSI Y14.5M		SOLIDWORKS	
ALL DIMENSIONS ARE IN INCHES AND (MILLIMETERS)		SIGN	
TOLERANCE INCHES: ± 0.030		DATE	
TOLERANCE METERS: ± 0.762		DRAWN AK 4/14/16	
ANGLE PROJECTION: $\angle = 45^\circ$		CHECKED BO 4/14/16	
DO NOT SCALE DRAWING		ENGR. JL AU 4/14/16	
		APPR. JL AU 4/14/16	
www.coliws.com		TITLE:	
353 West Grove Ave		3 Phase Oil Filled Distribution	
Orange, California, 92885		Transformers for 50/60 Hz	
SCALE		SIZE DWG. NO.	
N/A		B 3P100K-23KV-415V	
SHEET 1 OF 1		REV A	