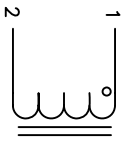


The information contained in this drawing is the sole property of Coil Winding Specialist Inc. (CWS). Any reproduction in part or whole without written permission of CWS is prohibited.

DIMENSIONAL TOLERANCE INCHES [MM]					
A(OD) Max	B(WIDTH) Max	C(LEAD) Min	D(LEAD DIA) TYP	E (Min/Max)	P1 Ref
0.90 [22.9]	0.65 [16.5]	0.5 [12.7]	0.03 [0.85]		0.56 [14.2]

REVISION HISTORY				SIGN & DATE		
REV	ECN	DESCRIPTION	BY	DATE	CHK	DATE
A	-	PRODUCTION RELEASE	RLL	02/25/11	JCL	02/25/11



SCHEMATIC

INDUCTANCE VS. CURRENT		
L (typ)	DC or AC (rms) Current	
280.7 uH	0 AMP	
270.4 uH	1 AMP	
263.5 uH	2 AMP	
244.5 uH	3 AMP	
172.3 uH	4 AMP	

- 8 BUILD TO ROHS COMPLIANCE
- 7 APPLICATION: AUDIO Crossover
- 6 MARK PART NUMBER AND REVISION WRAP INDUCTOR WITH 3M #69 OR EQUAL

- 5 FLUSH WITH THE COIL EDGE REMOVE INSULATION AND TIN LEADS 0.50 INCH

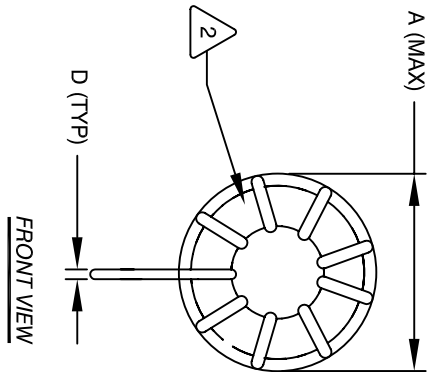
- 4 WIND COIL EVENLY SPACED AROUND THE CORE CONSTRUCTION:

WEIGHT: 18 GRAM  
 OPERATING TEMP.: -55°C TO 120°C  
 HI-POT TEST FOR WINDING TO CORE ISOLATION = 1250 VDC 5 SEC  
 DISTRIBUTED CAPACITANCE @10 KHz = 25 pF  
 TEMP. RISE AT RATED CURRENT: <30°C  
 SRF = 1.9 MHz  
 DCR = 35 MILLIOHMS MAX.  
 SEE TABLE FOR INDUCTANCE VS CURRENT  
 CURRENT RATING = 4 AMPS  
 INDUCTANCE = 270 uH ±15% @ 0AMP DC BIAS, 10 KHz, 250mv  
 SPECIFICATIONS:

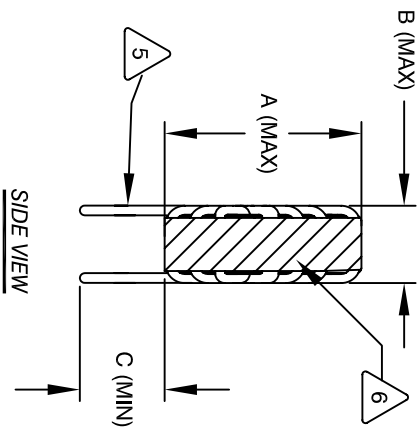
- 3 WIRE: UL RECOGNIZED 155°C RATED MAGNET WIRE CWS BYTEMARK OR OTHER APPROVED PART CORE: AMORPHOUS CORE

- 2 RATING CLASS F (155°C) REQUIRED

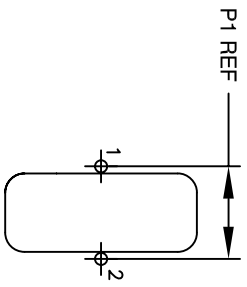
- 1 NOTES: TOROIDAL POWER CHOKER. ALL DIMENSIONS IN INCHES[MM]



FRONT VIEW



SIDE VIEW



MOUNTING HOLES PATTERN

CODE IDENT	MFG. P/N	DESCRIPTION	ITEM NO.
AUTOCAD SOLIDWORKS	X		
SIGN	DATE		
DRAWN GN	2/28/11		
CHECKD AK	2/28/11		
ENGR. JLJU	2/28/11		
APPR. JLJU	2/28/11		
PARTS LIST		Coil Winding Specialist, Inc. 353 W Grove Ave Orange, CA 92865	
TITLE:		Audio Inductor Choke Amorphous Inductor 270 uH, 4 Amp	
SIZE	DWG. NO.	SCALE	REV
B	AC-271U-4A	NOT_TO_SCALE	A