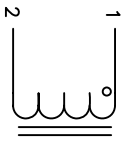


The information contained in this drawing is the sole property of Coil Winding Specialist Inc. (CWS). Any reproduction in part or whole without written permission of CWS is prohibited.

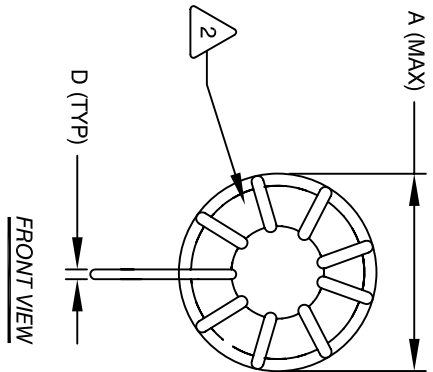
DIMENSIONAL TOLERANCE INCHES [MM]					
A(OD) Max	B(WIDTH) Max	C(LEAD) Min	D(LEAD DIA) TYP	E (Min/Max)	P1 Ref
0.98 [25.0]	0.67 [17.0]	0.5 [12.7]	0.05 [1.47]		0.59 [15.1]

REVISION HISTORY			SIGN & DATE		
REV	ECN	DESCRIPTION	BY	DATE	DATE
A	-	PRODUCTION RELEASE	RLL	02/25/11	02/25/11

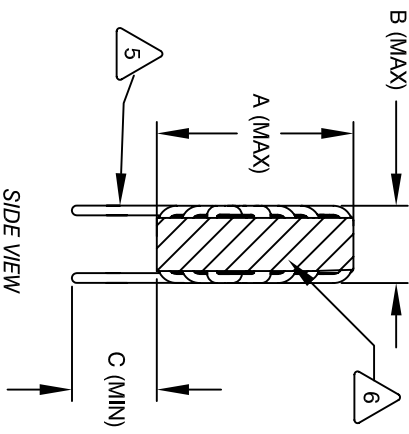


SCHEMATIC

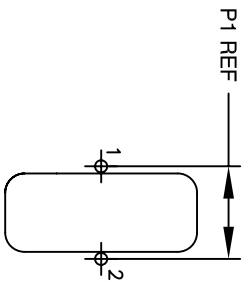
INDUCTANCE VS. CURRENT		
L (typ)	DC or AC (rms) Current	
41.6 uH	0 AMP	
41.4 uH	2 AMP	
40.3 uH	4 AMP	
39.8 uH	5 AMP	
39.0 uH	6 AMP	
37.6 uH	7 AMP	
34.9 uH	8 AMP	
31.1 uH	9 AMP	
26.1 uH	10 AMP	



FRONT VIEW



SIDE VIEW



MOUNTING HOLES PATTERN

- 1 RATING CLASS F (155°C) REQUIRED
- 2 WIRE: UL RECOGNIZED 155°C RATED MAGNET WIRE  
CWS BYTEMARK OR OTHER APPROVED PART  
CORE: AMORPHOUS CORE
- 3 SPECIFICATIONS:  
INDUCTANCE = 40 uH ±15% @ 0AMP DC BIAS, 10 KHz, 250mV  
CURRENT RATING = 10 AMPS  
SEE TABLE FOR INDUCTANCE VS CURRENT  
DCR = 6.3 MILLI-OHMS MAX.  
TEMP. RISE AT RATED CURRENT: <30°C  
SRF = 7.2 MHz  
HI-POT TEST FOR WINDING TO CORE ISOLATION =1250 VDC 5 SEC  
DISTRIBUTED CAPACITANCE @10 KHz = 11.15 pF  
OPERATING TEMP.: -55°C TO 120°C  
WEIGHT: 20 GRAM  
CONSTRUCTION:  
WIND COIL EVENLY SPACED AROUND THE CORE
- 4 WIND COIL EVENLY SPACED AROUND THE CORE
- 5 REMOVE INSULATION AND TIN LEADS 0.50 INCH
- 6 MARK PART NUMBER AND REVISION  
WRAP INDUCTOR WITH 3M #69 OR EQUAL
- 7 APPLICATION: AUDIO CROSSOVER
- 8 BUILT TO ROHS COMPLIANCE

NOTES: TOROIDAL POWER CHOKER. ALL DIMENSIONS IN INCHES[MM]

CODE IDENT	MFG. P/N	DESCRIPTION	ITEM NO.
AUTOCAD SOLIDWORKS	X		
SIGN	DATE		
DRWNN GN	2/28/11		
CHEKDD AK	2/28/11		
ENGR. JL AU	2/28/11		
APPR. JL AU	2/28/11		

PARTS LIST		www.coilws.com 353 W Grove Ave Orange, CA 92865	
TITLE: Audio Inductor Choke Amorphous Inductor 40 uH, 10 Amp		SIZE DWG. NO.	REV A
SCALE NOT_TO_SCALE		AC-400U-10A	