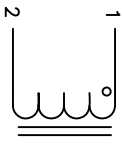


The information contained in this drawing is the sole property of Coil Winding Specialist Inc. (CWS). Any reproduction in part or whole without written permission of CWS is prohibited.

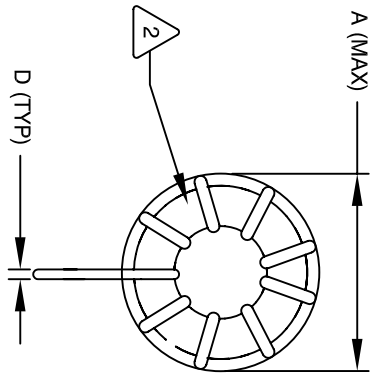
DIMENSIONAL TOLERANCE INCHES [MM]				
A(OD) Max	B(WIDTH) Max	C(LEAD) Min	D(LEAD DIA) TYP	E (Min/Max)
0.95 [24.1]	0.75 [19.0]	0.5 [12.7]	0.03 [0.77]	0.57 [14.5]
				P1 Ref

REVISION HISTORY		SIGN & DATE		
REV	ECN	DESCRIPTION	BY	DATE
A	-	PRODUCTION RELEASE	RLL	02/25/11
			JKL	02/25/11

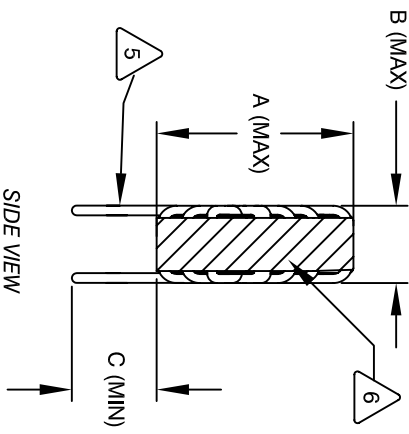


SCHEMATIC

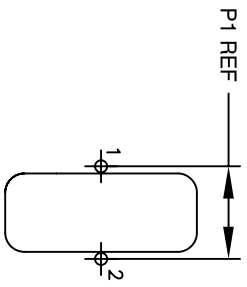
INDUCTANCE VS. CURRENT	
L (typ)	DC or AC (rms) Current
521.2 uH	0 AMP
494.2 uH	1 AMP
466.2 uH	2 AMP
278.2 uH	3 AMP



FRONT VIEW



SIDE VIEW



MOUNTING HOLES PATTERN

- 1 BUILD TO ROHS COMPLIANCE
- 2 CHOKES, HI-FI SYSTEMS, ETC.
APPLICATION: AUDIO CROSSOVER
- 3 MARK PART NUMBER AND REVISION
WRAP INDUCTOR WITH 3M #69 OR EQUAL
- 4 FLUSH WITH THE COIL EDGE
REMOVE INSULATION AND TIN LEADS 0.50 INCH
- 5 WIND COIL EVENLY SPACED AROUND THE CORE
CONSTRUCTION:
WEIGHT: 20 GRAM
OPERATING TEMP.: -55°C TO 120°C
HI-POT TEST FOR WINDING TO CORE ISOLATION = 1250 VDC 5 SEC
DISTRIBUTED CAPACITANCE @10 KHz = 13.52 pF
TEMP. RISE AT RATED CURRENT: <30°C
SRF = 1.2 MHz
DCR = 65 MILLIOHMS MAX.
SEE TABLE FOR INDUCTANCE VS CURRENT
CURRENT RATING = 3 AMPS
INDUCTANCE = 500 uH ±15% @ 0AMP DC BIAS, 10 KHz, 250mV
SPECIFICATIONS:
- 6 WIRE: UL RECOGNIZED 155°C RATED MAGNET WIRE
CWS BYTE-MARK OR OTHER APPROVED PART
CORE: AMORPHOUS CORE
- 7 RATING CLASS F (155°C) REQUIRED

NOTES: TOROIDAL POWER CHOKE. ALL DIMENSIONS IN INCHES[MM]

CODE	IDENT	MFG. P/N	DESCRIPTION	ITEM NO.
AUTOCAD		X		
SOLIDWORKS				
SIGN	DATE			
DRAWN	GN	2/28/11		
CHECKED	AK	2/28/11		
ENGR.	JLAU	2/28/11		
APPR.	JLAU	2/28/11		
TITLE:		PARTS LIST		
www.coilw.com		Coil Winding Specialist, Inc.		
sales@coilw.com		353 W Grove Ave		
		Orange, CA 92865		
SIZE DWG. NO.		AC-501U-3A		
SCALE		NOT TO SCALE		
SHEET		1 OF 1		

UNLESS OTHERWISE SPECIFIED
DIMENSIONING AND TOLERANCE PER ANSI Y14.5M AND [DIMENSIONS ARE IN INCHES AND [MILLIMETERS].
TOLERANCE INCHES: .XXX=±.005 .XX=±.015 .X=±.030
TOLERANCE METRICS: .XXX=±.127 .XX=±.38 .X=±.38
ANGLE PROJECTION

DO NOT SCALE DRAWING