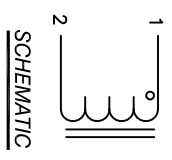


The information contained in this drawing is the sole property of CWS Coil Winding Specialist. Any reproduction in part or whole without written permission of CWS Coil Winding Specialist is prohibited.

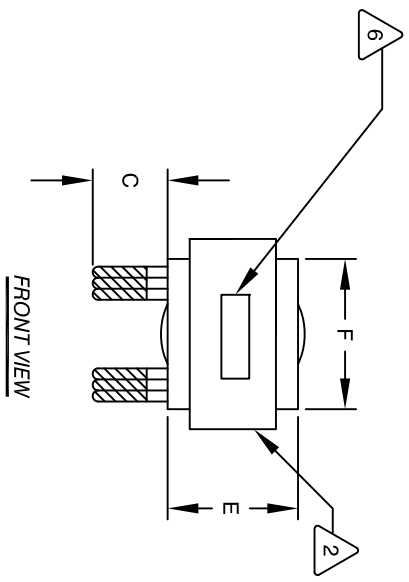
DIMENSIONAL TOLERANCES INCHES (MM)						
A	B	C	D	E	F	G
MAX 2.24 [57.00]	MAX 2.24 [57.00]	MIN 0.75 [19.05]	REF 0.08 [2.05]	MAX 1.77 [45.00]	MAX 1.46 [37.00]	MAX 1.57 [40.00]

REVISION HISTORY			SIGN & DATE			
REV	ECN	DESCRIPTION	BY	DATE	CHK	DATE
B			JL	11/25/17	JL	11/25/17

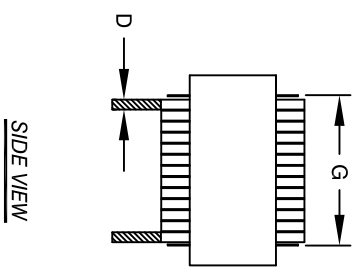


SCHEMATIC

- 7 BUILT TO ROHS COMPLIANCE
- 6 LABEL PART NUMBER AND REVISION WHERE SHOWN
- 5 VANISH PART AND CURE APPLY SILICON WHERE SHOWN

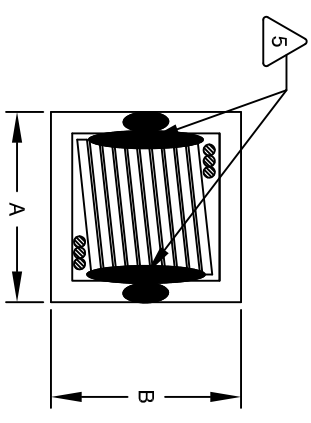


FRONT VIEW

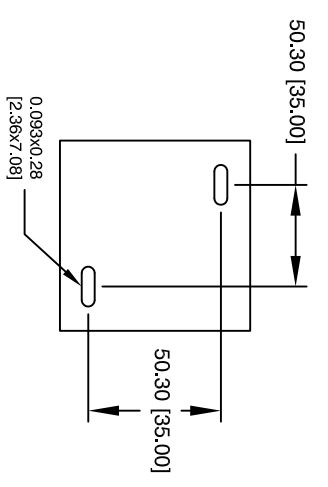


SIDE VIEW

- 4 CONSTRUCTION
- WEIGHT: 575 GRAM
- RECOMMENDED OPERATING TEMP: -40°C TO 85°C AT 55 °C AMBIENT
- HI-POT TEST FOR WINDING TO CORE ISOLATION, 1000VDC @ 2mA, 1 MIN
- RATED CURRENT: 75 AMPS WITH FORCED AIRFLOW
- INTERWINDING CAPACITANCE @ SRF = 57 pF (TYP)
- |Z|@SRF=14.7 KILO-OHM (TYP)
- SRF=2.3 MHZ (TYP)
- DCR=5 MILLI-OHM MAX.
- L= 90.0 UH ± 15%, MEASURED AT 1 KHZ, 0.25V, ZERO DC BIAS



BOTTOM VIEW



MOUNTING HOLES PATTERN

DC-BIAS	L
0A	90 uH
5A	84 uH
10A	81 uH
15A	77 uH
20A	73 uH
25A	69 uH
30A	64 uH
35A	58 uH
40A	54 uH
45A	49 uH
50A	45 uH
55A	41 uH
60A	38 uH
65A	35 uH
70A	32 uH
75A	30 uH

- 3 SPECIFICATIONS:
- VANISH DOLPH BC-346A or EQUAL
- SILICON DOW CORNING RTV 3165 OR EQUAL
- NOMEX SPACERS FOR SIDE AND CENTER LEG OF CORES
- OUTER WRAP: 3M #69 GLASS CLOTH OR OR EQUAL
- WIRE: UL RECOGNIZED 200°C RATED MAGNET WIRE
- CORE: POWDERED CORE

- 1 INSULATION CLASS 200°C REQUIRED
- MATERIAL: UL RECOGNIZED FOR FLAMMABILITY

NOTES: UNLESS OTHERWISE SPECIFIED, READ FROM BOTTOM UP.

QTY	CODE IDENT	MFG. P/N	DESCRIPTION	ITEM NO.
			PARTS LIST	
			www.coilws.com	
			Coil Winding Specialist, Inc.	
			353 W. GROVE AVE	
			ORANGE, CA 92665	
			DRWN JL 11/25/17	
			CHKD JLAU 11/25/17	
			ENGR KSUM 11/25/17	
			APPR JLAU 11/25/17	
			SIZE Dwg. No. B	
			CWS-1HW-12203	
			SCALE	
			SHEET 1 OF 1	