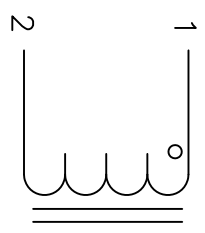


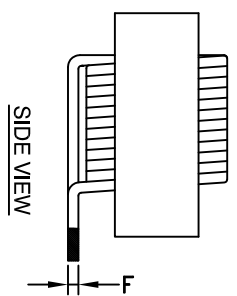
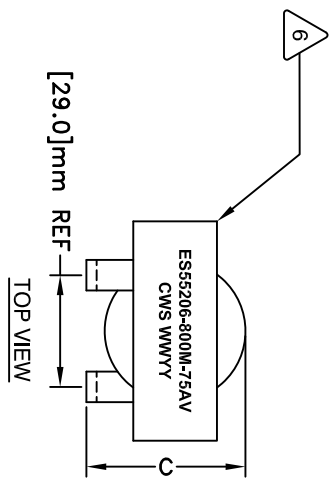
The information contained in this drawing is the sole property of Coil Winding Specialist, Inc. Any reproduction in part or whole without written permission of Coil Winding Specialist, Inc. is prohibited.

DIMENSIONAL TOLERANCE									
A	B	C	D (LEAD)	FILEAD DIM1	FILEAD DIM2	FILEAD DIM3	REF	X	
MAX 2.28" [58.0]	MAX 2.28" [58.0]	MAX 1.65" [42.0]	MAX 0.236" [6.00]	0.079" TYP [2.00]	0.059" TYP [1.50]	0.295" TYP [7.50]	1.142" REF [29.00]		

REVISION HISTORY			
REV	ECN	DESCRIPTION	DATE
A		PRODUCTION RELEASE	08/09/18
B		REVISED ELEC. SPEC.	11/19/18



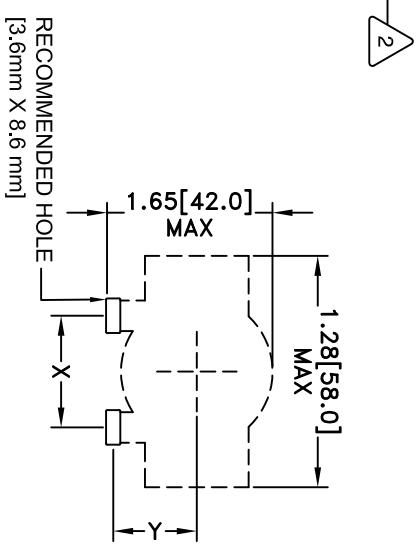
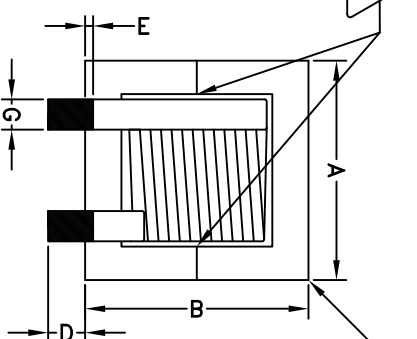
**SCHEMATIC**



DC-BIAS	L
0A	86 uH
5A	83 uH
10A	78 uH
15A	72 uH
20A	65 uH
25A	59 uH
30A	56 uH
35A	53 uH
40A	49 uH
45A	45 uH
50A	41 uH
55A	38 uH

[29.0]mm REF  
TOP VIEW

- 1 \_\_\_\_\_
- 2 \_\_\_\_\_
- 3 \_\_\_\_\_
- 4 \_\_\_\_\_
- 5 \_\_\_\_\_
- 6 \_\_\_\_\_
- 7 BUILT TO ROHS COMPLIANCE AND LEAD FREE.



- 1 INSULATION CLASS 200°C REQUIRED MATERIAL: UL RECOGNIZED 94V-0 FOR FLAMMABILITY
- 2 VANISH DOLPH OR EQUAL SILICON DOW CORNING OR EQUAL NOMEK SPACERS FOR SIDE AND CENTER LEG OF CORES OUTER WRAP: 3M GLASS OR EQUAL WIRE: UL RECOGNIZED 200°C RATED MAGNET WIRE CORE: COMPACTED POWDERED CORE
- 3 VANISH PART AND CURE APPLY SILICON WHERE SHOWN WRAP TAPE AROUND CORES WITH CORES AND NOMEK SPACERS ASSEMBLE PRE FORMED FLAT HELICAL COIL CONSTRUCTION WEIGHT: 4.15 GRAM (TYP) RECOMMENDED OPERATING TEMP: -40°C TO 85°C AT 55 °C AMBIENT HI-POT TEST FOR WINDING TO CORE ISOLATION, 1000VDC @ 2mA, 1 MIN INTERWINDING CAPACITANCE = 12pF TYP @ SRF |Z| = 15 KIL-O-HMS TYP @ SRF SRF = 4.85 MHZ TYP RATED CURRENT: 75 AMPS DCR = 3.2 MILLI-OHM MAX L@DC BIAS: SEE TABLE ON RIGHT. L = 80 uH ± 15%, MEASURED AT 10 KHZ, 0.25V, ZERO DC BIAS SPECIFICATIONS:

- 4 WEIGHT: 4.15 GRAM (TYP) RECOMMENDED OPERATING TEMP: -40°C TO 85°C AT 55 °C AMBIENT HI-POT TEST FOR WINDING TO CORE ISOLATION, 1000VDC @ 2mA, 1 MIN INTERWINDING CAPACITANCE = 12pF TYP @ SRF |Z| = 15 KIL-O-HMS TYP @ SRF SRF = 4.85 MHZ TYP RATED CURRENT: 75 AMPS DCR = 3.2 MILLI-OHM MAX L@DC BIAS: SEE TABLE ON RIGHT. L = 80 uH ± 15%, MEASURED AT 10 KHZ, 0.25V, ZERO DC BIAS SPECIFICATIONS:
- 5 VANISH PART AND CURE APPLY SILICON WHERE SHOWN WRAP TAPE AROUND CORES WITH CORES AND NOMEK SPACERS ASSEMBLE PRE FORMED FLAT HELICAL COIL CONSTRUCTION WEIGHT: 4.15 GRAM (TYP) RECOMMENDED OPERATING TEMP: -40°C TO 85°C AT 55 °C AMBIENT HI-POT TEST FOR WINDING TO CORE ISOLATION, 1000VDC @ 2mA, 1 MIN INTERWINDING CAPACITANCE = 12pF TYP @ SRF |Z| = 15 KIL-O-HMS TYP @ SRF SRF = 4.85 MHZ TYP RATED CURRENT: 75 AMPS DCR = 3.2 MILLI-OHM MAX L@DC BIAS: SEE TABLE ON RIGHT. L = 80 uH ± 15%, MEASURED AT 10 KHZ, 0.25V, ZERO DC BIAS SPECIFICATIONS:
- 6 MARK PART NUMBER AND REVISION WHERE SHOWN

- 1 INSULATION CLASS 200°C REQUIRED MATERIAL: UL RECOGNIZED 94V-0 FOR FLAMMABILITY
- 2 VANISH DOLPH OR EQUAL SILICON DOW CORNING OR EQUAL NOMEK SPACERS FOR SIDE AND CENTER LEG OF CORES OUTER WRAP: 3M GLASS OR EQUAL WIRE: UL RECOGNIZED 200°C RATED MAGNET WIRE CORE: COMPACTED POWDERED CORE
- 3 VANISH PART AND CURE APPLY SILICON WHERE SHOWN WRAP TAPE AROUND CORES WITH CORES AND NOMEK SPACERS ASSEMBLE PRE FORMED FLAT HELICAL COIL CONSTRUCTION WEIGHT: 4.15 GRAM (TYP) RECOMMENDED OPERATING TEMP: -40°C TO 85°C AT 55 °C AMBIENT HI-POT TEST FOR WINDING TO CORE ISOLATION, 1000VDC @ 2mA, 1 MIN INTERWINDING CAPACITANCE = 12pF TYP @ SRF |Z| = 15 KIL-O-HMS TYP @ SRF SRF = 4.85 MHZ TYP RATED CURRENT: 75 AMPS DCR = 3.2 MILLI-OHM MAX L@DC BIAS: SEE TABLE ON RIGHT. L = 80 uH ± 15%, MEASURED AT 10 KHZ, 0.25V, ZERO DC BIAS SPECIFICATIONS:
- 4 WEIGHT: 4.15 GRAM (TYP) RECOMMENDED OPERATING TEMP: -40°C TO 85°C AT 55 °C AMBIENT HI-POT TEST FOR WINDING TO CORE ISOLATION, 1000VDC @ 2mA, 1 MIN INTERWINDING CAPACITANCE = 12pF TYP @ SRF |Z| = 15 KIL-O-HMS TYP @ SRF SRF = 4.85 MHZ TYP RATED CURRENT: 75 AMPS DCR = 3.2 MILLI-OHM MAX L@DC BIAS: SEE TABLE ON RIGHT. L = 80 uH ± 15%, MEASURED AT 10 KHZ, 0.25V, ZERO DC BIAS SPECIFICATIONS:
- 5 VANISH PART AND CURE APPLY SILICON WHERE SHOWN WRAP TAPE AROUND CORES WITH CORES AND NOMEK SPACERS ASSEMBLE PRE FORMED FLAT HELICAL COIL CONSTRUCTION WEIGHT: 4.15 GRAM (TYP) RECOMMENDED OPERATING TEMP: -40°C TO 85°C AT 55 °C AMBIENT HI-POT TEST FOR WINDING TO CORE ISOLATION, 1000VDC @ 2mA, 1 MIN INTERWINDING CAPACITANCE = 12pF TYP @ SRF |Z| = 15 KIL-O-HMS TYP @ SRF SRF = 4.85 MHZ TYP RATED CURRENT: 75 AMPS DCR = 3.2 MILLI-OHM MAX L@DC BIAS: SEE TABLE ON RIGHT. L = 80 uH ± 15%, MEASURED AT 10 KHZ, 0.25V, ZERO DC BIAS SPECIFICATIONS:
- 6 MARK PART NUMBER AND REVISION WHERE SHOWN

NOTES: UNLESS OTHERWISE SPECIFIED, READ FROM BOTTOM UP.

CAGE CODE: 5DME2

QTY	CODE IDENT	MFG. P/N	DESCRIPTION	ITEM NO.
			High Current Helical Inductor	
			80 uH, 75 Amps, Vertical	

UNLESS OTHERWISE SPECIFIED	DRAWN	DATE	APPR.	DATE
DIMENSIONING AND TOLERANCE PER ANSI Y14.5M AND [DIMETERS].	EO	08/09/18	JLJU	08/09/18
TOLERANCE INCHES: .XX=±.010 .X=±.020 TOLERANCE METERS: .XX=±.254 .X=±.51	ENGR.	08/09/18	JLJU	08/09/18
ANGLE PROJECTION				
DO NOT SCALE DRAWING				

SCALE	SHEET	OF
NOT TO SCALE	1	1