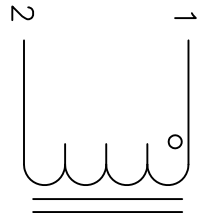


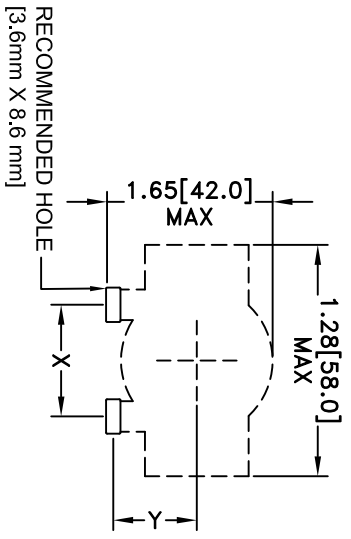
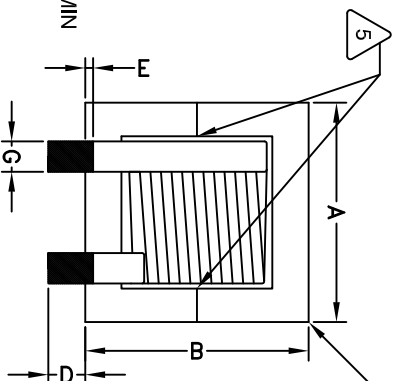
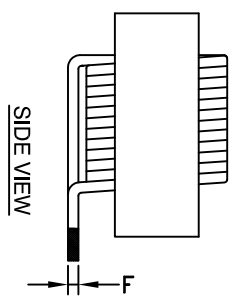
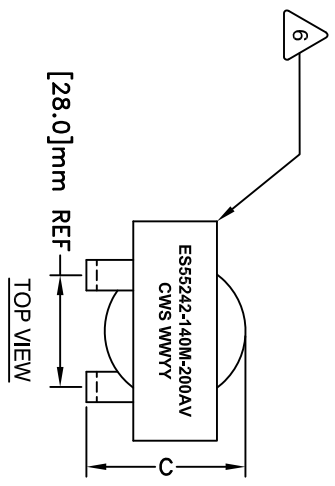
The information contained in this drawing is the sole property of Coil Winding Specialist, Inc. Any reproduction in part or whole without written permission of Coil Winding Specialist, Inc. is prohibited.

DIMENSIONAL TOLERANCE									
A	B	C	D (LEAD)	FILED DIM	FILED DIM	FILED DIM	REF	X	
MAX 2.28" [58.0]	MAX 2.28" [58.0]	MAX 1.65" [42.0]	MAX 1.65" [42.0]	TYPE 0.236" [6.00]	TYPE 0.079" [2.00]	TYPE 1.02" [26.0]	TYPE 1.10" [28.0]	TYPE 1.10" [28.0]	

REVISION HISTORY				SIGN & DATE		
REV	ECN	DESCRIPTION	BY	DATE	CHK	DATE
A		PRODUCTION RELEASE	RL	2/15/11	JLU	2/15/11
B		DCR VALUE CHANGE	JK	11/29/11	JLU	11/29/11
C		UPDATED ELEC. SPEC.	TN	01/28/19	JL	01/28/19



**SCHEMATIC**



DC-BIAS	L
0A	14 uH
5A	14 uH
10A	14 uH
15A	14 uH
20A	13.8 uH
25A	13.7 uH
30A	13.2 uH
40A	12.7 uH
50A	12.3 uH
60A	11.9 uH
70A	11.5 uH
80A	10.9 uH
90A	10.6 uH
100A	10.3 uH
120A	10.2 uH
140A	10.1 uH
160A	10.0 uH
180A	10.0uH
200A	9.9 uH

7 BUILT TO ROHS COMPLIANCE AND LEAD FREE.

6 MARK PART NUMBER AND REVISION WHERE SHOWN

5 VARNISH PART AND CURE  
APPLY SILICONE WHERE SHOWN

4 WRAP TAPE AROUND CORES  
WITH CORES AND NOMEX SPACERS  
ASSEMBLE PRE FORMED FLAT HELICAL COIL  
CONSTRUCTION

WEIGHT: 436 GRAM (TYP)  
RECOMMENDED OPERATING TEMP: -40°C TO 85°C AT 55 °C AMBIENT  
HI-POT TEST FOR WINDING TO CORE ISOLATION, 1000VDC @ 2mA, 1 MIN  
INTERWINDING CAPACITANCE = 13.2pF (TYP) @ SRF  
|Z| = 6.5 KILO-OHMS TYP @ SRF  
SRF = 11.7 MHz TYPICAL  
RATED CURRENT: 200 AMPS  
DCR = 1.10 MILLI-OHMS MAX, USING GW INSTEK GOM-801H OR EQUAL  
L@DC BIAS: SEE TABLE ON RIGHT.  
L = 14uH ± 15%, MEASURED AT 10 KHZ, 0.25V, ZERO DC BIAS  
SPECIFICATIONS:

2 VARNISH DOLPH or EQUAL  
SILICONE DOW CORNING OR EQUAL  
NOMEX SPACERS FOR SIDE AND CENTER LEG OF CORES  
OUTER WRAP: 3M GLASS OR EQUAL  
WIRE: UL RECOGNIZED 200°C RATED MAGNET WIRE  
CORE: COMPACTED POWDERED CORE

1 INSULATION CLASS 200°C REQUIRED  
MATERIAL: UL RECOGNIZED 94V-0 FOR FLAMMABILITY

NOTES: UNLESS OTHERWISE SPECIFIED, READ FROM BOTTOM UP.

QTY	CODE IDENT	MFG. P/N	DESCRIPTION	ITEM NO.
			<b>PARTS LIST</b>	
			Coil Winding Specialist, Inc. 353 W. GROVE AVE ORANGE, CA 92665	
			<b>TITLE:</b> High Current Helical Inductor 14 uH, 200 Amps, Vertical	
			<b>DATE:</b> 2/11/11	
			<b>SCALE:</b> NOT TO SCALE	
			<b>SHEET:</b> 1 OF 1	