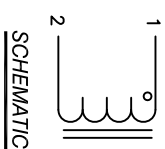
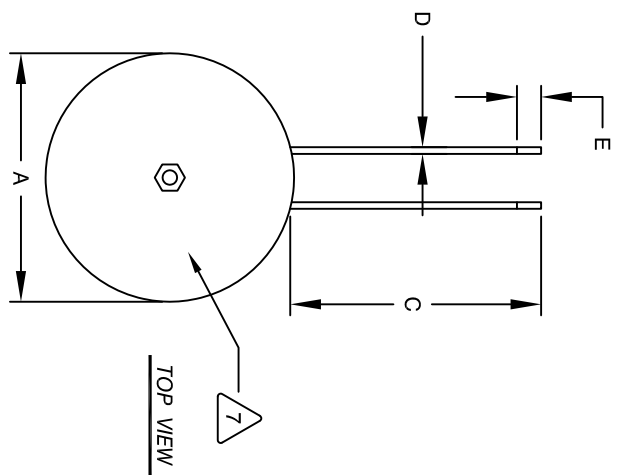
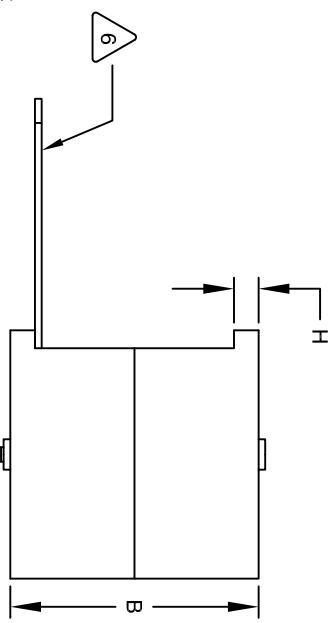
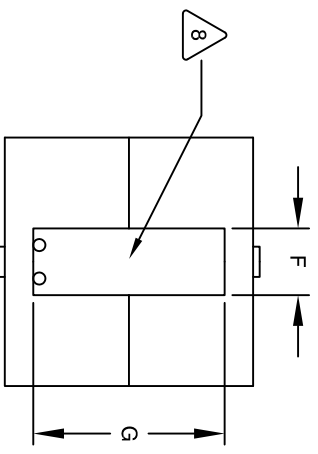


The information contained in this drawing is the sole property of Coil Winding Specialist, Inc. Any reproduction in part or whole without written permission of Coil Winding Specialist, Inc. is prohibited.



DIMENSIONAL TOLERANCES INCHES (MM)							
A	B	C	D	E	F	G	H
4.76 [120.80]	4.76 [120.80]	7.00 [177.80]	0.10 [2.54]	0.75 [19.05]	1.56 [39.50]	3.77 [95.80]	0.49 [12.50]



DC-BIAS	L
0A	30000uH
10A	20000uH
20A	12000uH
30A	8000uH
40A	6000uH

REVISION HISTORY			
REV	ECN	DESCRIPTION	DATE
A		PRODUCTION RELEASE	10/28/17

- 10 AC INDUCTOR, FILTER INDUCTOR, EMI INDUCTOR
- APPLICATION: OUTPUT CHOKE, HIGH CURRENT INDUCTOR,
- 9 BUILT TO ROHS COMPLIANCE
- 8 NOMEX COVER
- 7 LABEL PART NUMBER AND REVISION WHERE SHOWN
- 6 TEFLON SLEEVE
- 5 APPLY SILICON IF REQUIRED
- 4 CORES WITH NOMEX INSULATION WIND SOLID MAGNET WIRE ONTO CONSTRUCTION:
- 3 WEIGHT: 18 LB (TYP)
- RECOMMENDED OPERATING FREQUENCY: 60HZ TO 500KHZ
- RECOMMENDED AMBIENT OPERATING TEMP: -40°C TO 85°C
- HI-POT TEST FROM WINDING TO CORE 1000VDC @ 2mA, 1 MIN
- INTERWINDING CAPACITANCE @ SRF = 210PF (TYP)
- [Z]@SRF=440 KIL-OHM (TYP)
- SRF=65 KHZ (TYP)
- RATED CURRENT: 40 AMPS, APPROPRIATE AIR FLOW NEEDED.
- DCR= 220 MILLI-OHM MAX.
- L@DC BIAS: SEE TABLE ON RIGHT.
- L=30000uH ±15%, MEASURED AT 10 KHZ, 0.25V, ZERO DC BIAS
- SPECIFICATIONS:
- 3 CORE: COMPACTED POWDER POT CORE
- 2 MATERIAL: UL RECOGNIZED

NOTES: UNLESS OTHERWISE SPECIFIED READ FROM BOTTOM UP.  
**CAGE CODE: 5DME2**

UNLESS OTHERWISE SPECIFIED		AUTOCAD	
DIMENSIONING AND TOLERANCES PER ANSI Y14.5M	ALL DIMENSIONS ARE IN INCHES AND [MILLIMETERS].	SIGN	DATE
TOLERANCE INCHES: .XX=±.010 .X=±.020 .XXX=±.254 .XX=±.51	ANGLE PROJECTION	DRAWN	DATE
DO NOT SCALE DRAWING		ENGR.	DATE
		APPR.	DATE

PARTS LIST	
www.coilws.com	Coil Winding Specialist, Inc.
sales@coilws.com	353 W. GROVE AVE
	ORANGE, CA 92865
TITLE: High Inductance Inductor	
30000 uH, 40 Amps	
SIZE	DWG. NO.
SCALE	HIPC-303M-40A
NOT TO SCALE	REV B