

SCHEMATIC

7 BUILT TO ROHS COMPLIANCE AND LEAD FREE.

6 MARK PART NUMBER AND REVISION WHERE SHOWN

5 VARNISH PART AND CURE APPLY SILICONE WHERE SHOWN

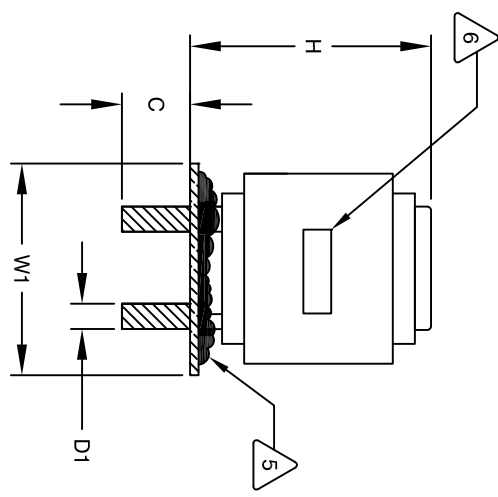
4 WRAP GLASS TAPE AROUND CORES WITH CORES AND NOMEX SHEETS ASSEMBLE PRE FORMED FLAT RECTANGULAR HELICAL COIL CONSTRUCTION

3 WEIGHT: 484 GRAM (TYP)
 MAX INDUCTOR TEMP RATING: 200°C
 RECOMMENDED OPERATING TEMP: -40°C TO 85°C
 HI-POT TEST FOR WINDING TO CORE ISOLATION, 1000VDC @ 2mA, 1 MIN
 INTERWINDING CAPACITANCE = 12pF TYP @ SRF
 |Z| = 28 KILO-OHMS TYP @ SRF
 SRF = 2.92 MHz TYP
 RATED CURRENT: 50 AMPS WITH FORCED AIR FLOW
 DCR = 11 MILLI-OHMS MAX.
 DC BIAS: SEE TABLE ON THE RIGHT
 L = 270 uH ± 15%, MEASURED AT 10 KHz, 0.25V, ZERO DC BIAS
 SPECIFICATIONS @ 25°C:

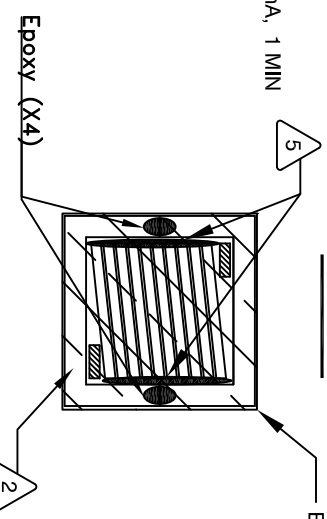
2 VARNISH DOLPH or EQUAL
 SILICONE DOW CORNING OR EQUAL
 NOMEX SHEETS FOR SIDES AND CENTER LEG OF CORE.
 OUTER WRAP: 3M GLASS TAPE OR EQUAL
 WIRE: UL RECOGNIZED 200°C RATED MAGNET WIRE
 CORE: COMPACTED POWDERED CORE

1 INSULATION CLASS 200°C REQUIRED MATERIAL: UL RECOGNIZED 94V-0 FOR FLAMMABILITY

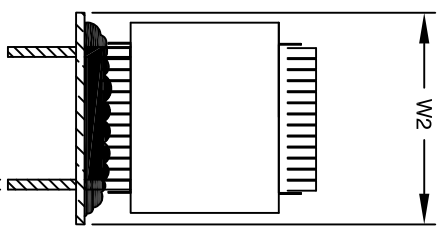
NOTES: UNLESS OTHERWISE SPECIFIED, READ FROM BOTTOM UP.
 CAGE CODE: 5DME2



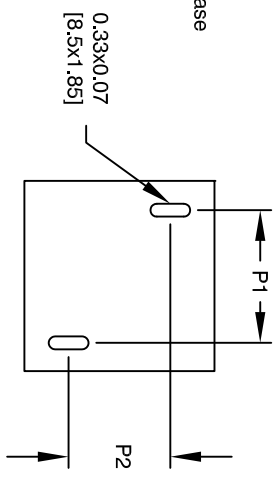
FRONT VIEW



BOTTOM VIEW



SIDE VIEW



MOUNTING HOLES PATTERN (TOP VIEW)

DIMENSIONAL TOLERANCE

	mm	Inch
C	18.70 (TYP)	0.74 (TYP)
D2	1.00 (TYP)	0.04 (TYP)
D1	7.50 (TYP)	0.30 (TYP)
W1	58.50 MAX	2.30 MAX
W2	58.50 MAX	2.30 MAX
H	73.00 MAX	2.87 MAX
P1	34.75 TYP	1.37 TYP
P2	28.35 TYP	1.12 TYP

DC BIAS TABLE

DC BIAS	L @10KHz (TYP)
0A	279 uH
5A	278 uH
10A	275 uH
15A	271 uH
20A	265 uH
25A	260 uH
30A	253 uH
40A	238 uH
50A	221 uH

REVISION HISTORY

REV	ECN	DESCRIPTION	BY	DATE	CHK	DATE
A		PRODUCTION RELEASE	TN	01/25/2020	JL	01/25/2020

QTY	CODE IDENT	MFG. P/N	DESCRIPTION	ITEM NO.
			PARTS LIST	
			www.coilws.com	
			sales@coilws.com	
			353 W. GROVE AVE	
			ORANGE, CA 92665	
			Coil Winding Specialist, Inc.	
			Low Cost Inductor,	
			Rectangular Helical Coil	
			270uH, 50 Amps, Horizontal	
			SIZE Dwg. No.	REV
			B LCEK28B42-271M-50AH	A
			SCALE NOT_TO_SCALE	SHEET 1 OF 1

UNLESS OTHERWISE SPECIFIED

DIMENSIONING AND TOLERANCE PER ANSI Y14.5M AND [DIMETERS].	UNLESS OTHERWISE SPECIFIED
TOLERANCE INCHES: .XX±.010 .X±.020 TOLERANCE METERS: .XX±.254 .X±.51	±.40°30'
ANGLE PROJECTION	DO NOT SCALE DRAWING