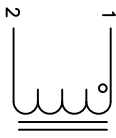


The information contained in this drawing is the sole property of Coil Winding Specialist, Inc. Any reproduction in part or whole without written permission of Coil Winding Specialist, Inc. is prohibited.



1
2
SCHEMATIC

7 BUILT TO ROHS COMPLIANCE AND LEAD FREE.

6 MARK PART NUMBER AND REVISION WHERE SHOWN

5 VARNISH PART AND CURE APPLY SILICONE WHERE SHOWN

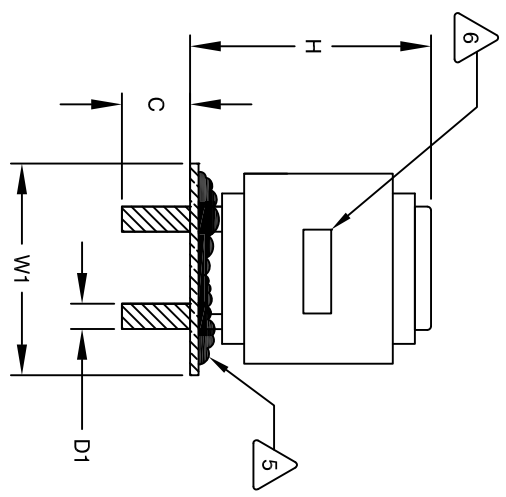
4 WRAP GLASS TAPE AROUND CORES WITH CORES AND NOMEX SHEETS ASSEMBLE PRE FORMED FLAT RECTANGULAR HELICAL COIL CONSTRUCTION

3 WEIGHT: 484 GRAM TYP
MAX INDUCTOR TEMP RATING: 200°C
RECOMMENDED OPERATING TEMP: -40°C TO 85°C
HI-POT TEST FOR WINDING TO CORE ISOLATION, 1000VDC @ 2mA, 1 MIN
INTERWINDING CAPACITANCE = 11pF TYP @ SRF
|Z| = 32.25 KIL-OHMS TYP @ SRF
SRF = 2.65 MHz TYP
RATED CURRENT: 50 AMPS WITH FORCED AIR FLOW
DCR = 11 MILLI-OHMS MAX.
DC BIAS: SEE TABLE ON THE RIGHT.
L = 350 uH ± 15%, MEASURED AT 10 KHz, 0.25V, ZERO DC BIAS SPECIFICATIONS @ 25°C:

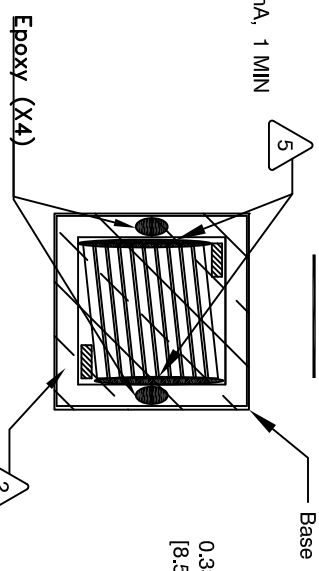
2 VARNISH DOLPH or EQUAL SILICONE DOW CORNING OR EQUAL NOMEX SHEETS FOR SIDES AND CENTER LEG OF CORE. OUTER WRAP: 3M GLASS TAPE OR EQUAL WIRE: UL RECOGNIZED 200°C RATED MAGNET WIRE CORE: COMPACTED POWDERED CORE

1 INSULATION CLASS 200°C REQUIRED MATERIAL: UL RECOGNIZED 94V-0 FOR FLAMMABILITY

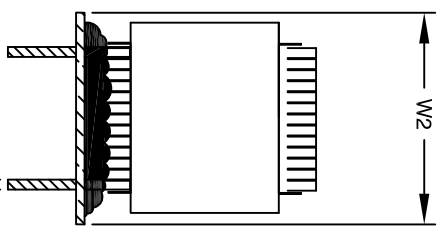
NOTES: UNLESS OTHERWISE SPECIFIED, READ FROM BOTTOM UP.
CAGE CODE: 5DME2



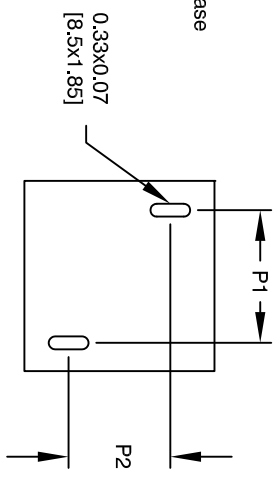
FRONT VIEW



BOTTOM VIEW



SIDE VIEW



MOUNTING HOLES PATTERN (TOP VIEW)

DIMENSIONAL TOLERANCE

	mm	inch
C	18.70 (TYP)	0.74 (TYP)
D2	1.00 (TYP)	0.04 (TYP)
D1	7.50 (TYP)	0.30 (TYP)
W1	58.50 MAX	2.30 MAX
W2	58.50 MAX	2.30 MAX
H	73.00 MAX	2.87 MAX
P1	34.75 TYP	1.37 TYP
P2	28.35 TYP	1.12 TYP

DC BIAS TABLE

DC BIAS (AMP)	L @10KHz (TYP)
0	356uH
5	352uH
10	346uH
15	339uH
20	331uH
25	323uH
30	309uH
40	275uH
50	241uH

REVISION HISTORY

REV	ECN	DESCRIPTION	DATE	BY	CHK	DATE
A		PRODUCTION RELEASE	01/31/2020	TN	JL	01/31/2020

QTY	CODE IDENT	MFG. P/N	DESCRIPTION	ITEM NO.
			PARTS LIST	
			www.coilws.com	
			Coil Winding Specialist, Inc.	
			353 W. GROVE AVE	
			ORANGE, CA 92665	
			TITLE:	
			Low Cost Inductor,	
			Rectangular Helical Coil	
			350uH, 50 Amps, Horizontal	
			SIZE Dwg. NO.	
			LCEK28B62-351M-50AH	
			SCALE	
			NOT TO SCALE	
			DO NOT SCALE DRAWING	
			UNLESS OTHERWISE SPECIFIED	
			DIMENSIONING AND TOLERANCE PER ANSI Y14.5M	
			ALL DIMENSIONS ARE IN INCHES AND [MILLIMETERS].	
			TOLERANCE INCHES: .XX=±.010 .X=±.020	
			TOLERANCE METRICS: .XX=±.254 .X=±.51	
			ANGLE PROJECTION	
			APPR. JL	
			DATE 01/31/2020	
			DRAWN TN	
			DATE 01/31/2020	
			ENGR. JL	
			DATE 01/31/2020	
			AUTOCAD SOLIDWORKS SIGN	
			DATE	