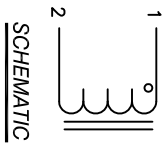


The information contained in this drawing is the sole property of Coil Winding Specialist, Inc. Any reproduction in part or whole without written permission of Coil Winding Specialist, Inc. is prohibited.

DIMENSIONAL TOLERANCES INCHES (MM)											
C1 TYP	C2 TYP	D1 TYP	D2 TYP	L MAX	W MAX	H MAX	G TYP	I TYP	J TYP	K1 TYP	K2 TYP
1.60 [40.51]	1.49 [37.80]	0.51 [13.00]	0.16 [4.00]	3.23 [82.00]	3.11 [79.00]	2.17 [55.00]	1.65 [42.00]	0.40 [10.16]	1.03 [26.16]	1.29 [32.87]	1.38 [34.93]



7 BUILT TO ROHS COMPLIANCE AND LEAD FREE.

6 MARK PART NUMBER AND REVISION WHERE SHOWN

5 VARNISH PART AND CURE APPLY SILICONE WHERE SHOWN

4 WRAP GLASS TAPE AROUND CORES AND CORES WITH NOMEX PAPER. ASSEMBLE PRE FORMED FLAT HELICAL COIL CONSTRUCTION

3 WEIGHT: 1090 GRAMS TYP
MAX INDUCTOR TEMP RATING: 200°C
RECOMMENDED OPERATING TEMP: -40°C TO 85°C
HI-POT TEST FOR WINDING TO CORE ISOLATION: 1000VDC @ 2mA, 1 MIN
INTERWINDING CAPACITANCE = 98pF TYP @ SRF
|Z| = 2.2 KILO-OHMS TYP @ SRF
SRF = 13MHz TYP
RATED CURRENT: 450 AMPS WITH FORCED AIR FLOW
DCR = 0.6 MILLIOHMS MAX.
INDUCTOR DC BIAS: SEE TABLE ON THE RIGHT
L = 20uH TYP, MEASURED AT 10 KHz, 0.25V, ZERO DC BIAS SPECIFICATIONS @ 25°C:

2 VARNISH DOLPH or EQUAL
SILICONE DOW CORNING OR EQUAL
NOMEX SHEETS FOR SIDES AND CENTER LEG OF CORES
OUTER WRAP: 3M GLASS TAPE OR EQUAL
WIRE: UL RECOGNIZED 200°C RATED MAGNET WIRE
CORE: COMPACTED POWDERED CORE

1 INSULATION CLASS K (200°C) REQUIRED MATERIAL: UL RECOGNIZED 94V-0 FOR FLAMMABILITY

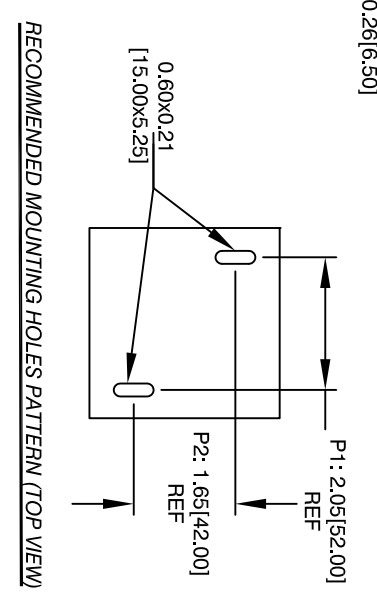
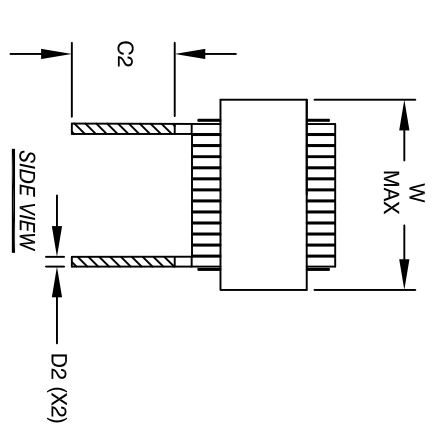
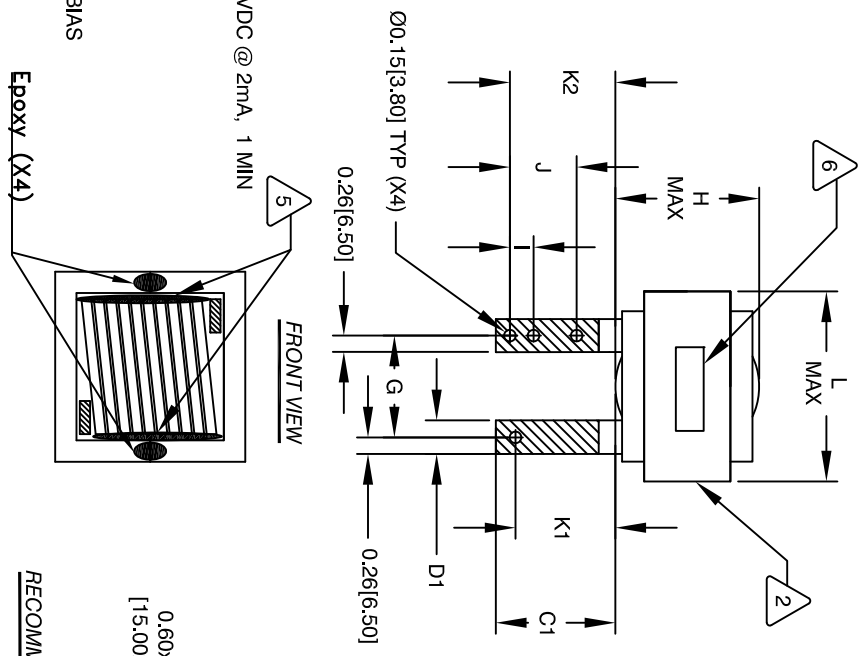
NOTES: UNLESS OTHERWISE SPECIFIED, READ FROM BOTTOM UP.

CAGE CODE: 5DME2

EP FORM0005 REV 3 10/01

REVISION HISTORY			
REV	ECN	DESCRIPTION	DATE
A		PRODUCTION RELEASE	01/15/2020

DC BIAS TABLE			
DC BIAS (AMP)	L (REF)	10KHz (REF)	100KHz (REF)
0	20uH		
10	20uH		
20	19uH		
40	19uH		
60	19uH		
80	18uH		
100	18uH		
140	14uH		
160	14uH		
180	13uH		
200	12uH		
240	10uH		
260	9uH		
280	8uH		
300	8uH		
320	7uH		
340	7uH		
360	6uH		
400	6uH		
420	5uH		
430	5uH		
450	5uH		



QTY	CODE IDENT	MFG. P/N	DESCRIPTION	ITEM NO.
			Coil Winding Specialist, Inc.	
			353 W. GROVE AVE	
			ORANGE, CA 92665	

UNLESS OTHERWISE SPECIFIED		DIMENSIONING AND TOLERANCE PER ANSI Y14.5M		TITLE:	
ALL DIMENSIONS ARE IN INCHES AND [DIMETERS].	DRWN	TN	01/15/2020	Very High Current Inductor, Helical Coil	
TOLERANCE INCHES: ϕ=±0.30'	ENGR	JL	01/15/2020	20.0uH, 450 Amps, Horizontal	
TOLERANCE METRCS: ϕ=±0.30'	APPR	JL	01/15/2020	SIZE	DRG. NO.
ANGLE PROJECTION				B	LCEK38A61-200M-450AH
DO NOT SCALE DRAWING				SCALE	NOT TO SCALE
				SHEET	1 OF 1

CAD-FILE: