

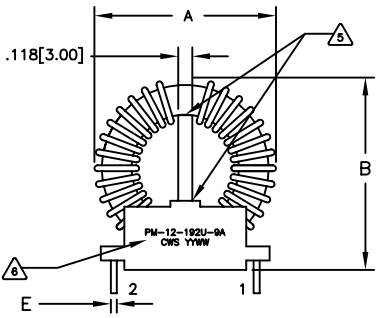
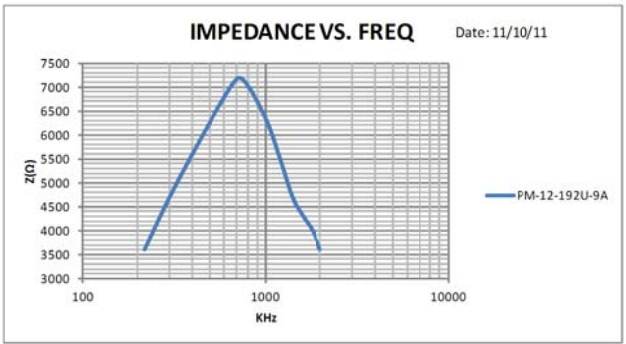
The information contained in this drawing is the sole property of CWS Coil Winding Specialist. Any reproduction in part or whole without written permission of CWS Coil Winding Specialist is prohibited.

DIMENSIONAL TOLERANCE						
A	B (HGT)	C	D (LEAD)	E (LEAD OD)	X	Y
MAX	MAX	MAX	MIN	TYP	REF	REF
1.26"	1.23"	.63"	.20"	.040"	0.80"	.40"
[32.0]	[31.2]	[16.0]	[5.1]	[1.00]	[20.32]	[10.16]

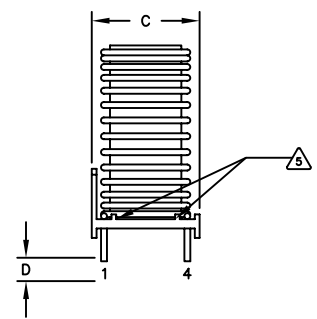
REVISION HISTORY						
REV	ECN	DESCRIPTION	SIGN & DATE			
			BY	DATE	CHK	DATE
A		INITIAL RELEASE	KLC	11/3/11	AK	11/3/11

CUSTOMER: \_\_\_\_\_ REFERENCE PN: \_\_\_\_\_

APPROVED BY \_\_\_\_\_



Top View



Side View

- 7 BUILT TO RoHS COMPLIANCE AND LEAD FREE.
- 6 IF APPLICABLE, MARK PART NUMBER AND REVISION

WHERE SHOWN  
 5 PULL LEADS THRU BASE AND ADD EPOXY  
 REMOVE WIRE INSULATION AND TIN

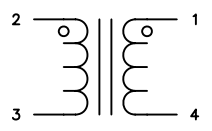
4 WIND COILS EVENLY SPACED  
 CONSTRUCTION:

WEIGHT: ~ 28 GRAMS  
 HI-POT WINDING-TO-WINDING 1250 V AC, 10 SEC  
 INTERWINDING CAPACITANCE 22 pF TYPICAL @ 10 kHz  
 LEAKAGE INDUCTANCE 20.0 uH TYPICAL @ 10kHz  
 DCR= 17 MILLI-OHMS MAX PER WINDING  
 SRF = 735 kHz TYPICAL  
 IMPEDANCE @ SRF 735 kHz ~ 7.0 kΩ  
 RATED MAX CURRENT = 9 AMPS RMS  
 INDUCTANCE = 1.9 mH MIN @ 10kHz/0.100 Vrms  
 MAX. TEMP RISE AT RATED CURRENT < 40°C  
 OPERATING TEMPERATURE: -40° TO 125°C  
 3 SPECIFICATIONS @ 25°C

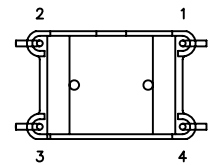
2 FR4 SPACER: ~ 3.00 MM THICKNESS  
 HEADER: UL CERTIFIED TOROID BASE  
 CORE: HIGH PERM MANGANESE ZINC

1 RATING UL-CLASS B (130°) REQUIRED  
 MATERIAL: UL RECOGNIZED 94V-0 FLAMMABILITY FOR BOBBIN

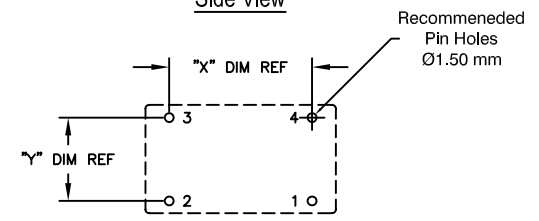
NOTES: UNLESS OTHERWISE SPECIFIED. READ FROM BOTTOM UP.  
 CAGE:5DME2



Schematic



Bottom View



Mounting Holes Pattern

CODE IDENT	MFG. P/N	DESCRIPTION	ITEM NO.
<b>PARTS LIST</b>			
AUTOCAD	X	WWW.COILWS.COM, INC sales@coilws.com	CWS Coil Winding Specialist. 353 W Grove Ave Orange, CA 92865
SOLIDWORKS			
DRAWN	KLC	11/3/11	TITLE: <b>COMMON MODE LINE FILTER</b> 1.9 mH, 9 Amp
DESIGN	CT	11/3/11	
ENGR.	KLC	11/3/11	
APPR.	KLC	11/3/11	
UNLESS OTHERWISE SPECIFIED		SIZE	REV
DIMENSIONING AND TOLERANCE PER ANSI Y14.5M		B	A
ALL DIMENSIONS ARE IN INCHES AND [MILLIMETERS]		SCALE	2=1
TOLERANCE INCHES: .00X=±.005 .01X=±.015 <math>\angle</math>=±0°30'		SHEET 1 OF 1	
TOLERANCE METRICS: .00X=±.127 .01X=±.38 <math>\angle</math>=±0°30'		CAD-FILE:	
ANGLE PROJECTION			
DO NOT SCALE DRAWING			