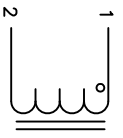


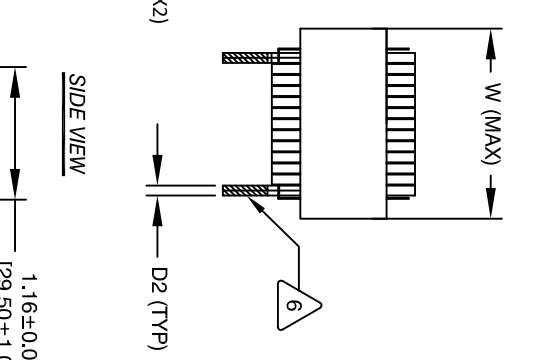
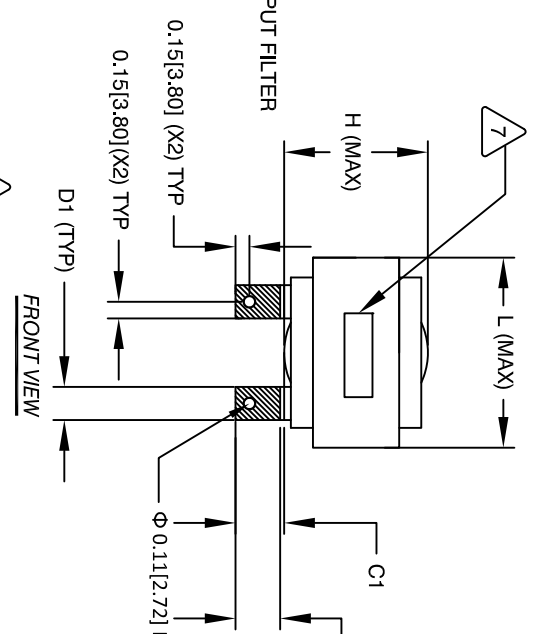
The information contained in this drawing is the sole property of Coil Winding Specialist, Inc. Any reproduction in part or whole without written permission of Coil Winding Specialist, Inc. is prohibited.

REVISION HISTORY

REV	ECN	DESCRIPTION	BY	DATE	CHK	DATE
A		PRODUCTION RELEASE	TN	11/28/18	JL	11/28/18
A1		UPDATED DC BIAS TABLE	TN	09/03/2020	JL	09/03/2020



SCHEMATIC



- LEADS MUST BE TINNED ALL SIDES AND TOGETHER
- VARNISH PART AND CURE
- APPLY SILICONE WHERE SHOWN
- WRAP TAPE AROUND CORES
- WITH CORES AND MYLAR SHEETS
- ASSEMBLE PRE FORMED FLAT HELICAL COIL
- CONSTRUCTION
- WEIGHT: 476 GRAMS (TYP)
- MAX INDUCTOR TEMP RATING: 200°C
- RECOMMENDED OPERATING TEMP: -40°C TO 85°C
- HI-POT TEST FOR WINDING TO CORE ISOLATION 1000VDC @ 2mA, 1 MIN
- INTERWINDING CAPACITANCE = 7.96pF TYP @ SRF
- |Z| = 870 OHMS TYP @ SRF
- SRF = 33.7 MHZ TYP
- RATED CURRENT: 330 AMPS WITH FORCED AIR FLOW
- DCR = 0.3 MILLIOHM MAX.
- INDUCTOR DC BIAS: SEE TABLE ON RIGHT
- L = 2.5 uH ± 15%, MEASURED AT 10 KHZ, 0.25V, ZERO DC BIAS
- SPECIFICATIONS @ 25°C :

- VARNISH DOLPH or EQUAL
- SILICONE DOW CORNING or EQUAL
- MYLAR SHEETS FOR SIDES AND CENTER LEG OF CORES
- OUTER WRAP: 3M GLASS OR EQUAL
- WIRE: UL RECOGNIZED 200°C RATED MAGNET WIRE
- CORE: COMPACTED POWDERED CORE

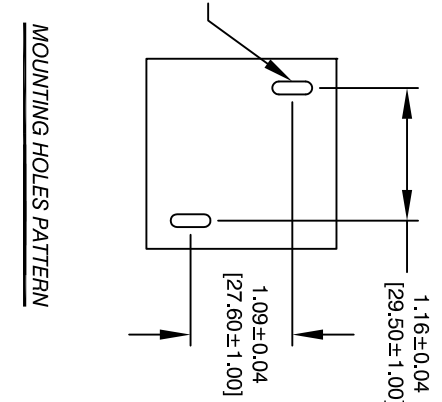
- INSULATION CLASS 200°C REQUIRED
 - MATERIAL: UL RECOGNIZED 94V-0 FOR FLAMMABILITY
- NOTES: UNLESS OTHERWISE SPECIFIED, READ FROM BOTTOM UP.
CAGE CODE: 5DMIE2

DIMENSIONAL TOLERANCE

	mm	inch
C1	13.0±1.00	0.51±0.04
C2	12.0±0.50	0.47±0.02
D1	7.6 (TYP)	0.30 (TYP)
D2	5.2 (TYP)	0.20 (TYP)
L	56.0 MAX	2.20 MAX
W	57.0 MAX	2.24 MAX
H	36.0 MAX	1.41 MAX

DC BIAS TABLE

DC-BIAS	L@10KHz (REF)
0A	2.65uH
10A	2.64uH
20A	2.63uH
40A	2.61uH
60A	2.60uH
80A	2.57uH
100A	2.55uH
120A	2.54uH
140A	2.51uH
160A	2.50uH
180A	2.50uH
200A	2.50uH
220A	2.49uH
240A	2.48uH
260A	2.47uH
280A	2.43uH
300A	2.41uH
330A	2.40uH



MOUNTING HOLES PATTERN

QTY	CODE IDENT	MFG. P/N	DESCRIPTION	ITEM NO.
			PARTS LIST	
			www.coilws.com	
			353 W. GROVE AVE	
			ORANGE, CA 92665	
			Coil Winding Specialist, Inc.	
			TITLE:	
			High Current Helical Inductor	
			2.5 uH, 330 Amps, Horizontal	
			SCALE:	
			NOT TO SCALE	
			SHEET 1 OF 1	