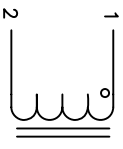


The information contained in this drawing is the sole property of Coil Winding Specialist, Inc. Any reproduction in part or whole without written permission of Coil Winding Specialist is prohibited.

DC Bias				REVISION HISTORY						
0 Amp	1 Amp	2 Amp	3 Amp	REV	ECN	DESCRIPTION	BY	DATE	CHK	DATE
495uH	441uH	331uH	255uH	B		PRODUCTION RELEASE	RPR	6/20/06	JLJU	6/20/06
				C		ELECT. SPECS ADDED	AK	10/16/12	JLJU	10/16/12



SCHEMATIC

7 BUILT TO ROHS COMPLIANCE AND LEAD FREE.

6 WHERE SHOWN, USING A PERMANENT MARKING METHOD IF APPLICABLE, MARK PART NUMBER AND REVISION

5 FLUSH WITH THE COIL EDGE, AS SHOWN REMOVE INSULATION AND TIN LEADS APPROX. 0.50 INCH

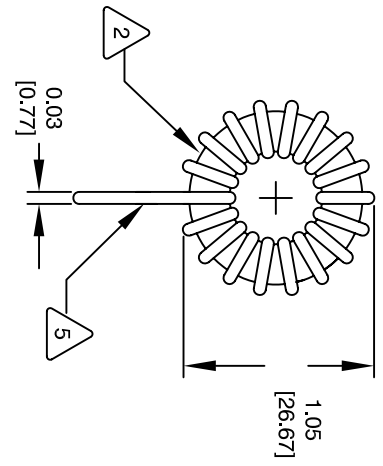
4 WIND WIRE TO CORE EVENLY SPACED CONSTRUCTION:

WEIGHT = 26.8 GRAMS
 HI-POT TEST FOR WIRE TO CORE = 500 VDC
 INDUCTANCE @ RATED CURRENT = 242.0 uH
 IMPEDENCE = 7.70 KOhms @ SRF
 SRF = 1.38 MHz
 DC BIAS = SEE TABLE ABOVE
 INTERWINDING CAPACITANCE = 26.8 pF @ 10 KHz
 DC CURRENT RATING = 3.0 AMPS MAX
 DCR = 129 MILLI-OHMS, MAX
 INDUCTANCE @ 0 AMPS = 500.0 uH, ± 20%, 1 KHz., 0.25 Vrms
 SPECIFICATIONS @ 25 °C

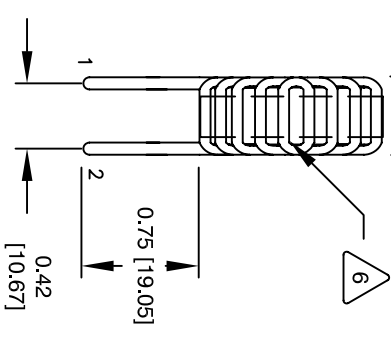
2 WIRE: UL RECOGNIZED 130°C RATED MAGNET WIRE
 CORE: COATED IRON POWDER

1 CORE COATING RATING CLASS B (130°) REQUIRED
 MATERIAL: UL RECOGNIZED 94V-0 FOR FLAMMABILITY
 NOTES: UNLESS OTHERWISE SPECIFIED, TOROIDAL INDUCTOR READ FROM BOTTOM UP.

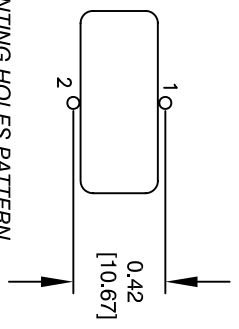
VERTICAL CONFIGURATION



VERTICAL CONFIGURATION



MOUNTING HOLES PATTERN



CODE IDENT	MFG. P/N	DESCRIPTION	ITEM NO.
		PARTS LIST	
AUTOCAD SOLIDWORKS	X		
UNLESS OTHERWISE SPECIFIED			
DIMENSIONING AND TOLERANCE PER ANSI Y14.5M AND [MILLIMETERS].	DRWN: RPR	DATE: 6/20/06	
TOLERANCE INCHES: .XX=±.015 .X=±.030 .XXX=±.005 .XX=±.015 .X=±.030	CHKD: JLJU	DATE: 6/20/06	
TOLERANCE METRICS: .XX=±.127 .X=±.38	ENGR: KSUM	DATE: 6/20/06	
ANGLE PROJECTION	APPR: JLJU	DATE: 6/20/06	
DO NOT SCALE DRAWING			
TITLE: Power Toroidal Inductors Vertical Mount		Coil Winding Specialist, Inc. 353 W. GROVE AVENUE ORANGE, CA. 92865	
SIZE: B	DWG. NO.: TC-501M-3A-94V	REV: C	
SCALE: 2=1			
		SHEET 1 OF 1	