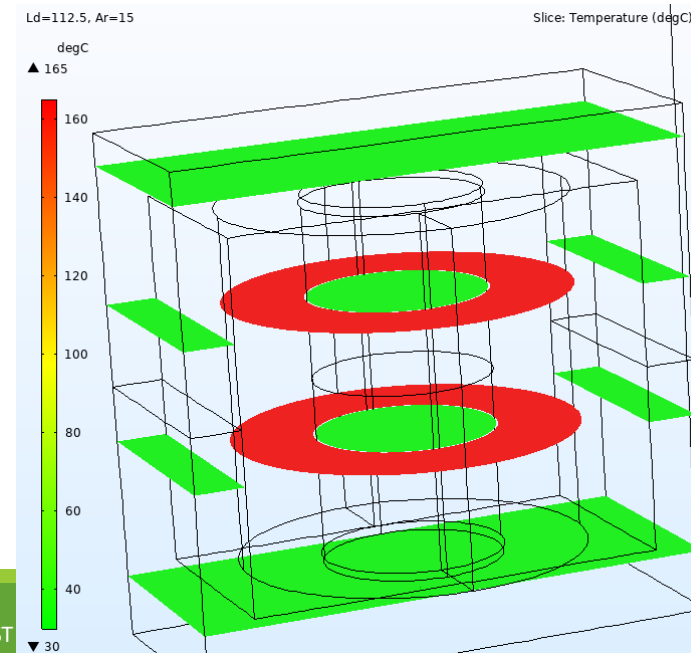
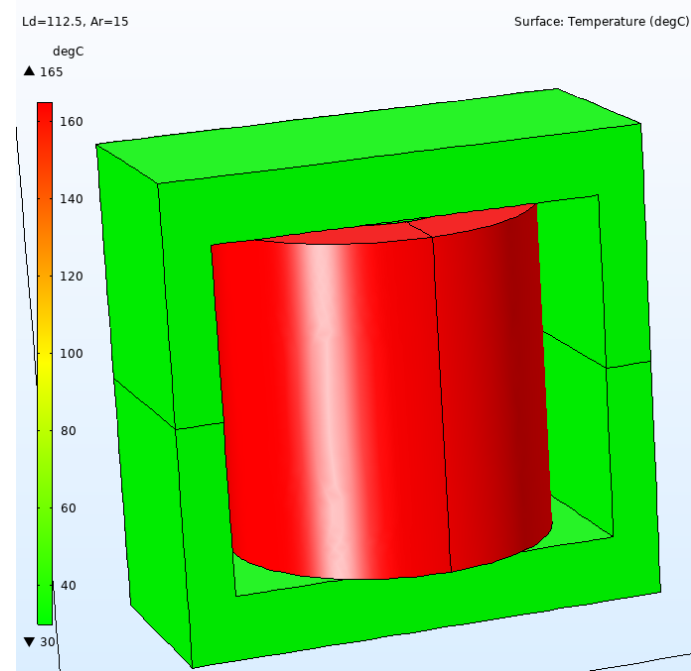
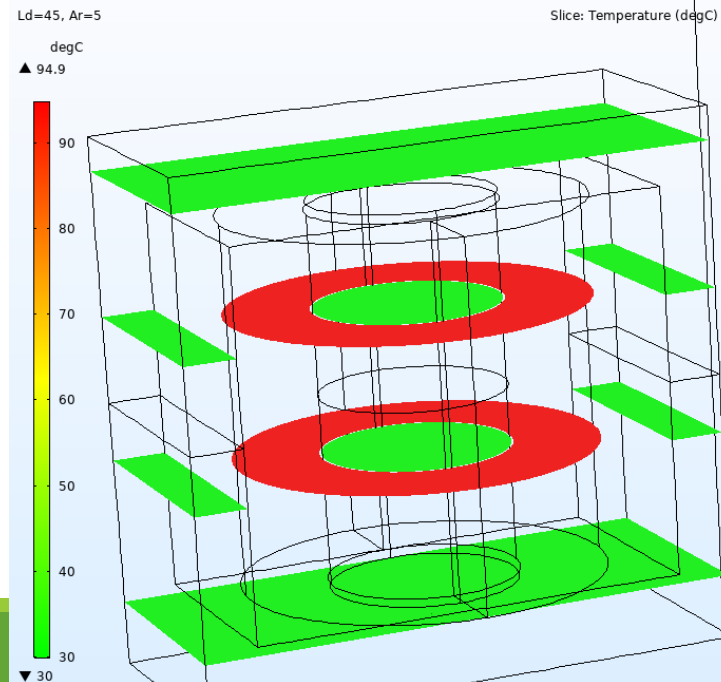
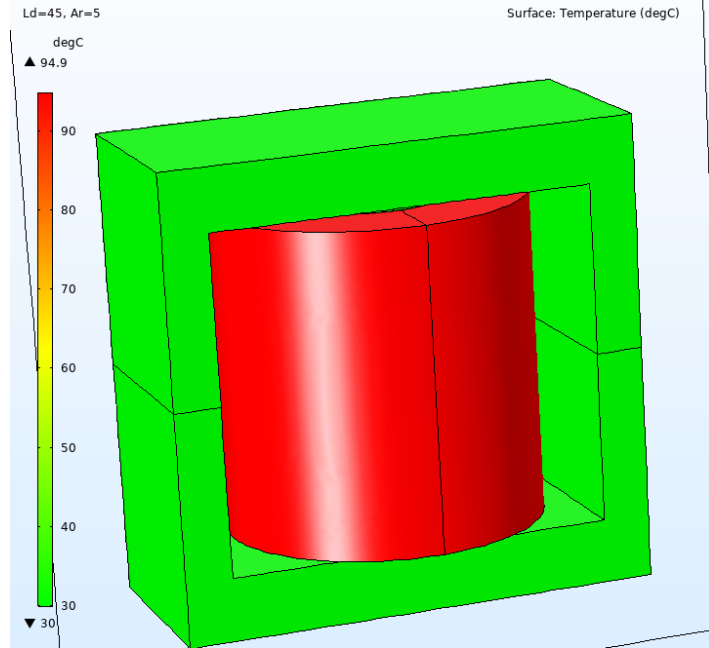


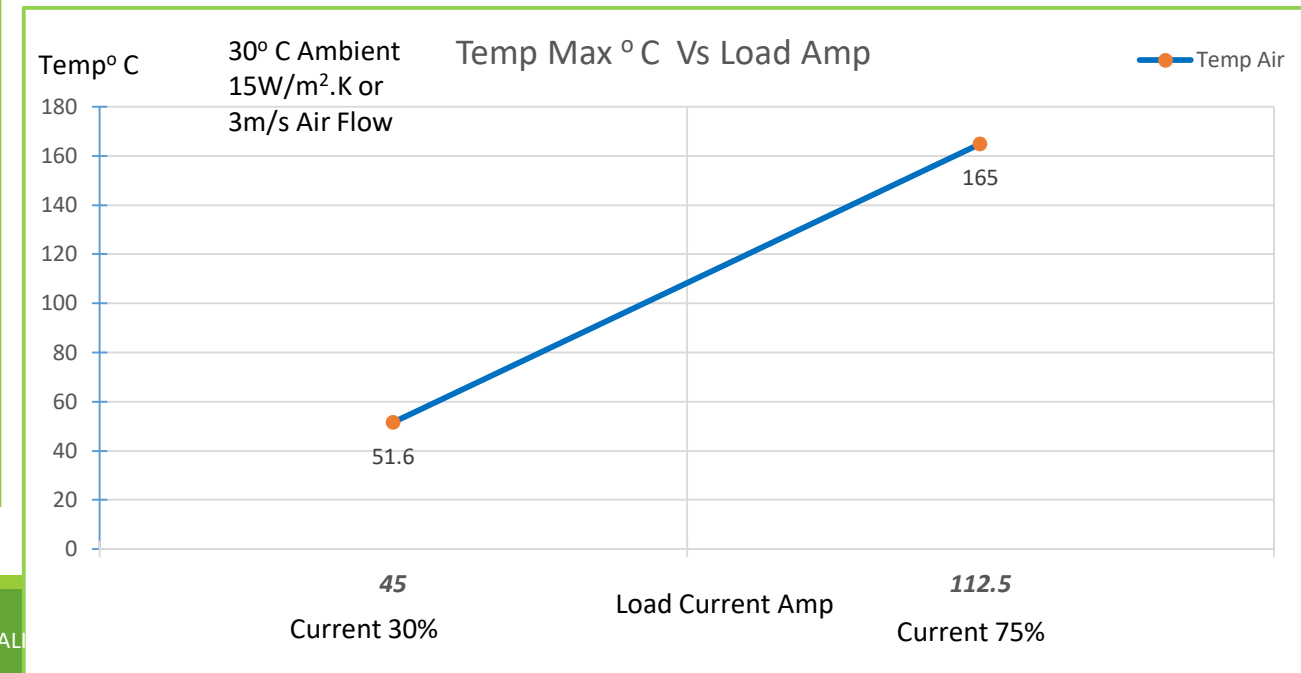
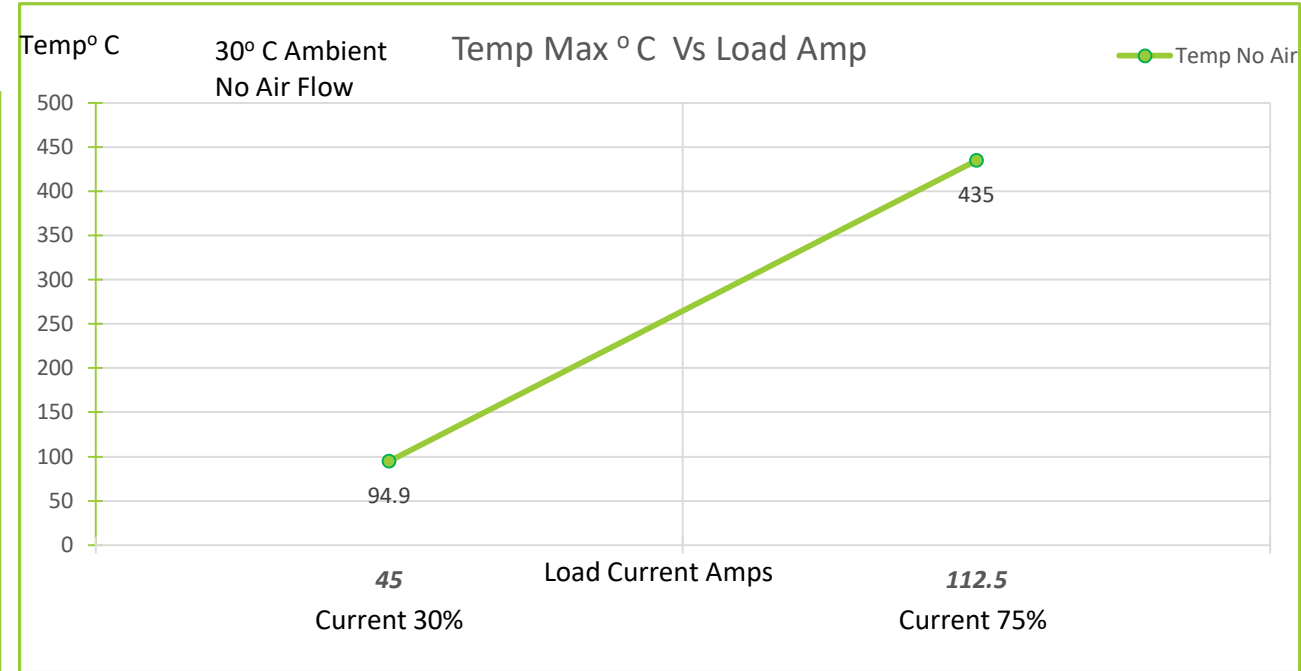
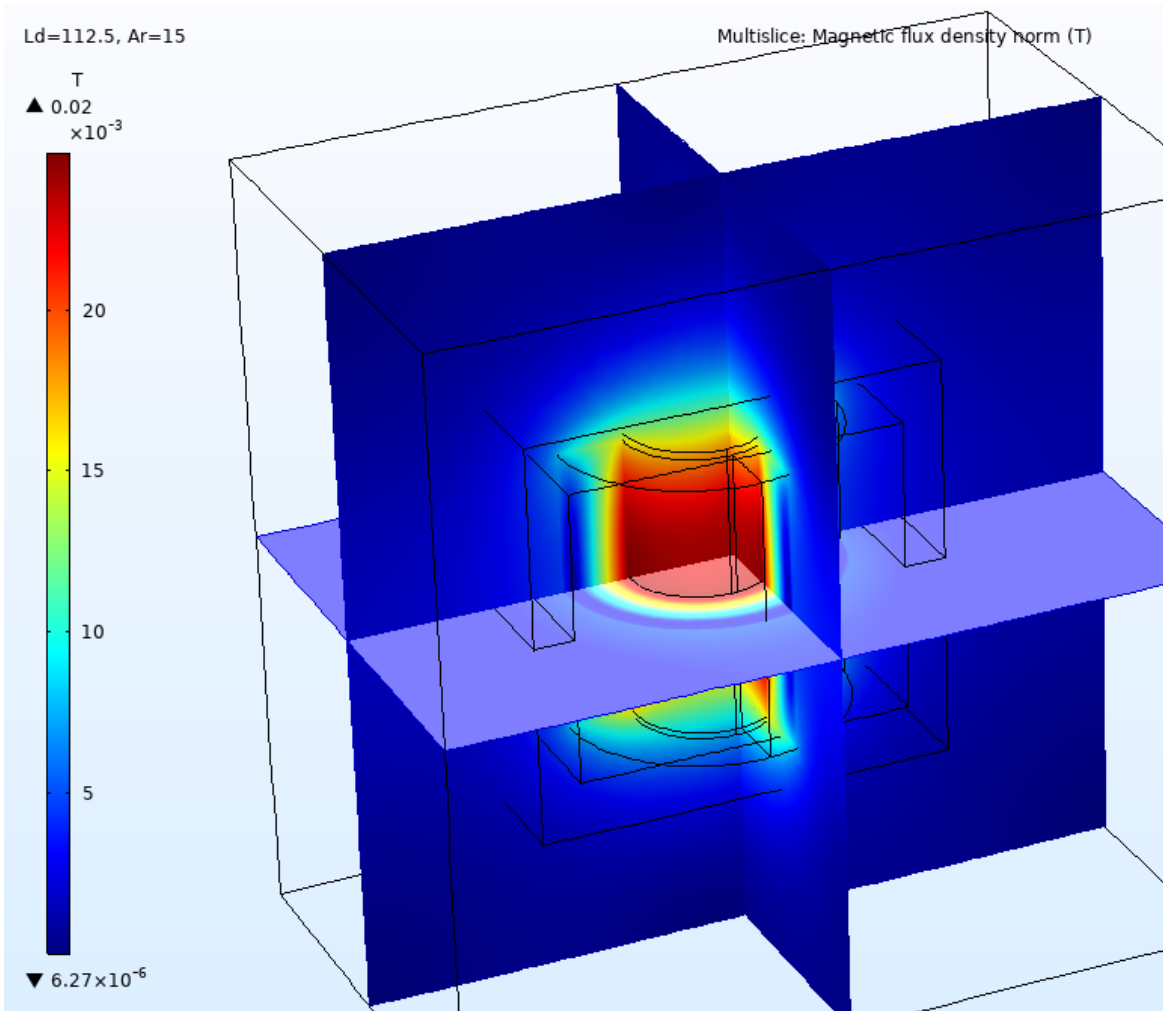
# Thermal and Electromagnetics simulation – Part # E70340-014 – Current rated 150A @ 10kHz

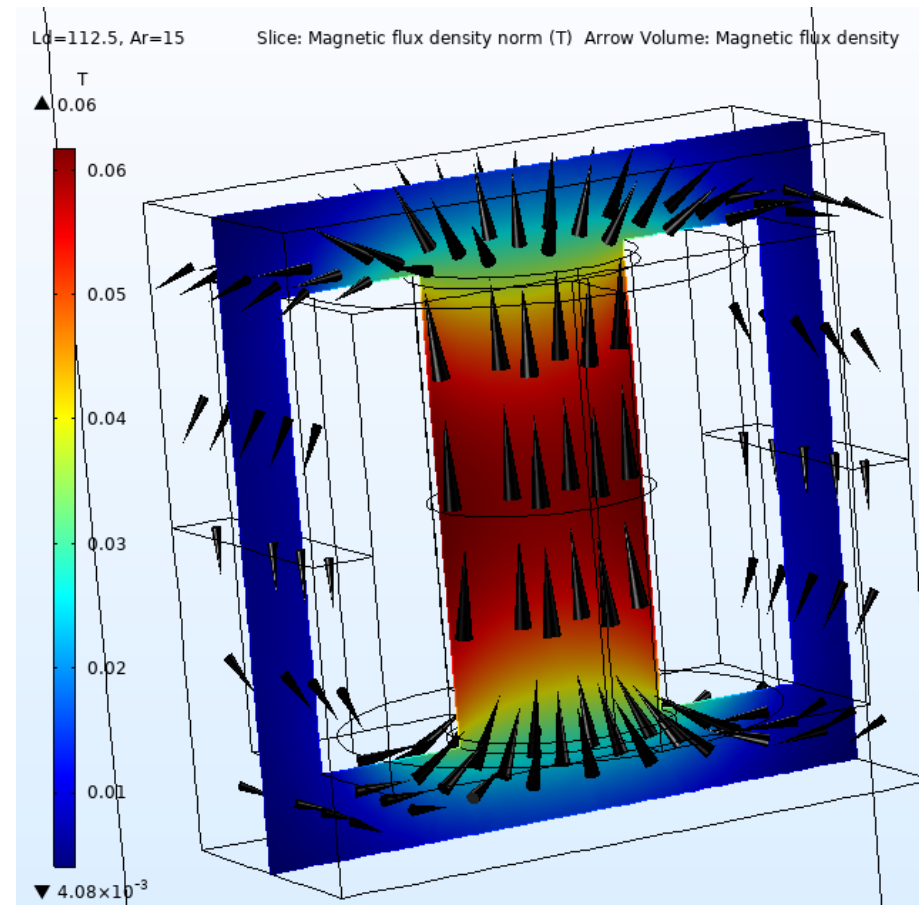
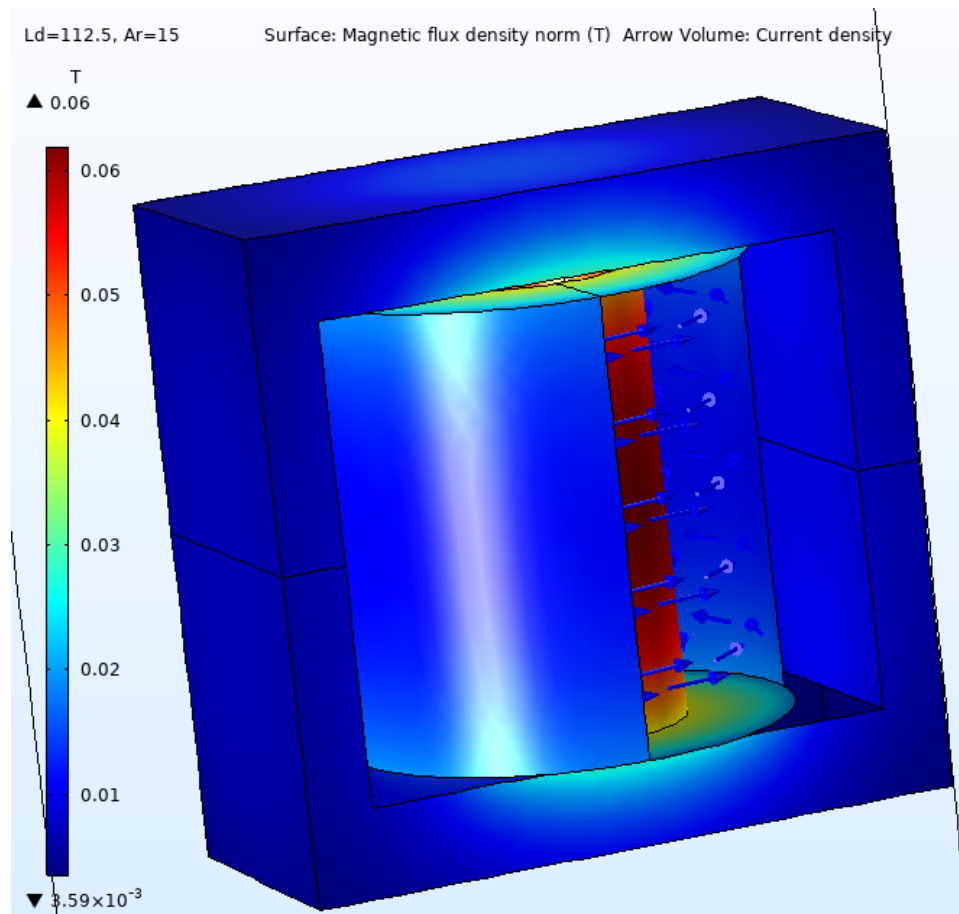
Current 30% (45 A)  
No Airflow  
Natural convection



Current 75% ( 112.5A)  
15 W/ (m<sup>2</sup>K) or 3 m/s  
air flow.

# Thermal and Electromagnetics simulation – Part # E70340-014 – Current rated 150A @ 10kHz





# Abbreviations

|                     |   |
|---------------------|---|
| Ld                  | : Current rated Amps                              |
| Ar                  | : Airflow   |
| W/m <sup>2</sup> .K | : Watts / Sq meter .Kelvin – Heat Convection rate |
| m/s                 | : Meter/ Second - Airflow                         |
| degC                | : Temperature in Deg C                            |
| T                   | : Tesla – Magnetic Flux density                   |
| Temp                | : Temperature                                     |
| Temp max:           | Temperature Maximum                               |
| Amb                 | : Ambient Temperature                             |
| Amps                | : Ampere Load current.                            |
| Slice               | : Sectional view                                  |

Disclaimer :

- Simulation MODEL is an effective tool for evaluating product performance by simulation; however, it does not simulate product performance in all test environments and is not intended to be a replacement for testing of the actual device by means of a test board or otherwise.
- Simulation results are for reference purposes only; CUSTOMER shall perform thorough testing using the actual device.