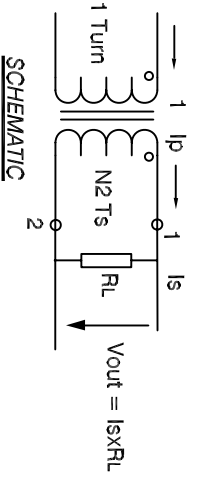


The information contained in this drawing is the sole property of Coil Winding Specialist. Any reproduction in part or whole without written permission of Coil Winding Specialist is prohibited.

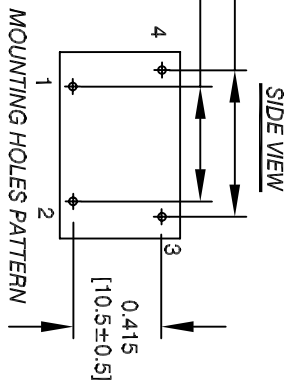
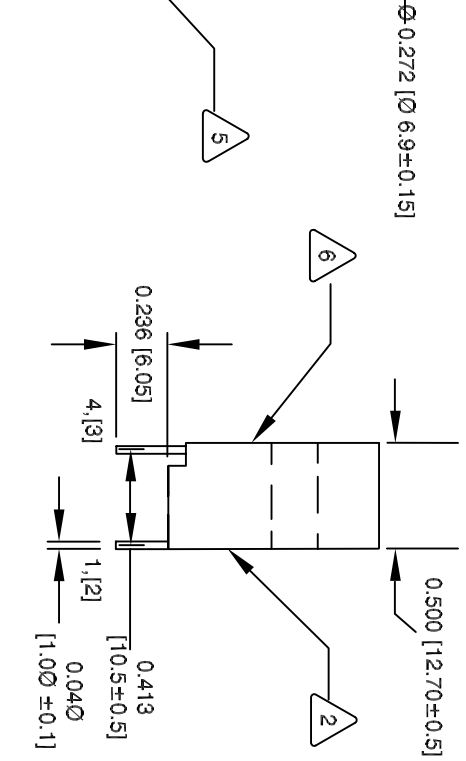
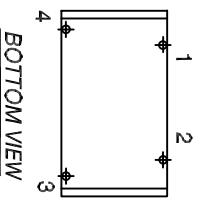
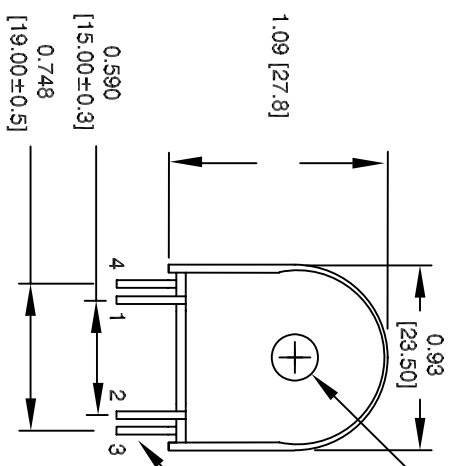


Note: All measurements are carried out using rms value responding meter. Unless requested the terminating resistor and the 1-turn primary are not supplied.

- 7 BUILT TO ROHS COMPLIANCE AND LEAD FREE WHERE SHOWN
- 6 MARK PART NUMBER AND REVISION
- 5 REMOVE INSULATION, SOLDERED TO LEADS
- 4 CONSTRUCTION: ENCAPSULATED USING BOBBIN.

- 3 SPECIFICATIONS @ 25 °C :
  - MAX AC PRIMARY CURRENT WITHOUT SATURATION (I max), = 50 AMPS RMS NOMINAL.
  - PRIMARY CURRENT RANGE WITH DEFINED ERROR TOLERANCES (I n ),
- 2 WIRE: UL RECOGNIZED 105 °C RATED MAGNET WIRE CWS BYTEMARK OR OTHER APPROVED PART CORE: TAPE WOUND
- 1 BOBBIN RATING CLASS B (130 °C) REQUIRED MATERIAL: UL RECOGNIZED 94V-0 FOR FLAMMABILITY

NOTES: UNLESS OTHERWISE SPECIFIED, 50/60 HZ CURRENT SENSOR. UNIT: INCHES [MM], READ FROM BOTTOM UP.



Note: Pin 3 and 4 are only used for mechanical mounting on to PCB

REVISION HISTORY				SIGN & DATE	
REV	ECON	DESCRIPTION	BY	DATE	CHK DATE
B		PRODUCTION RELEASE	RPR	8/24/04	JLJU 8/24/04
C		MECH. SPECS. PINOUT NUMBERING CHANGES	CT	12/12/08	GN 04/23/09

UNLESS OTHERWISE SPECIFIED	
DIMENSIONING AND TOLERANCE PER ANSI Y14.5M AND [MILLIMETERS]	
TOLERANCE INCHES:	± = ±0.30°
TOLERANCE METRICS:	± = ±0.30°
ANGLE PROJECTION	
DO NOT SCALE DRAWING	

QTY	CODE	IDENT	MFG. P/N	DESCRIPTION	ITEM NO.
				<b>PARTS LIST</b>	
	AUTOCAD	X			
	SOLIDWORKS				
	SIGN	DATE			
	DRWN	RPR	11/05/07		
	CHKD	JLJU	11/05/07		
	ENGR	KSUM	11/05/07		
	APPR	JLJU	11/05/07		
TITLE:			50/60 Hz		
SIZE [INCH. NO.]			CT-0850-HA		
SCALE			NOT-TO-SCALE		
SHEET			1 OF 1		

COILWIS.COM, INC  
www.coilwis.com  
Coil Winding Specialist, Inc.  
353 W GROVE AVENUE  
ORANGE, CA. 92665

Current Sense Transformer