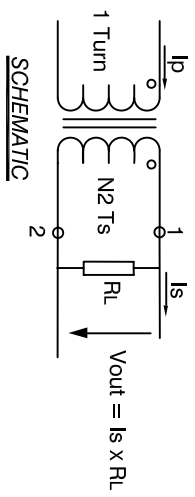


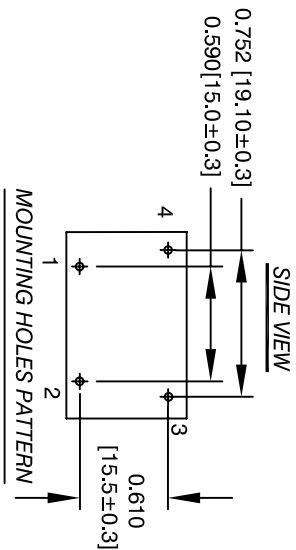
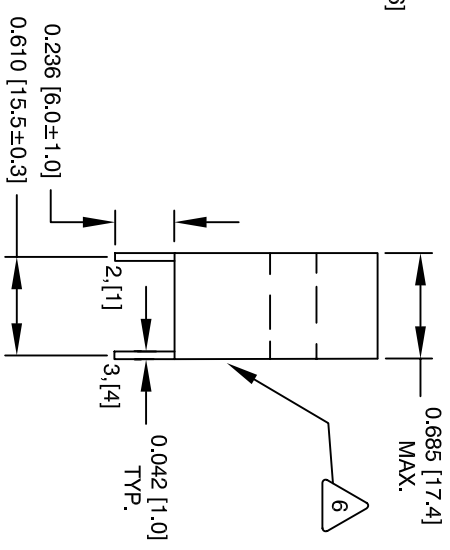
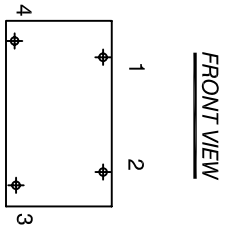
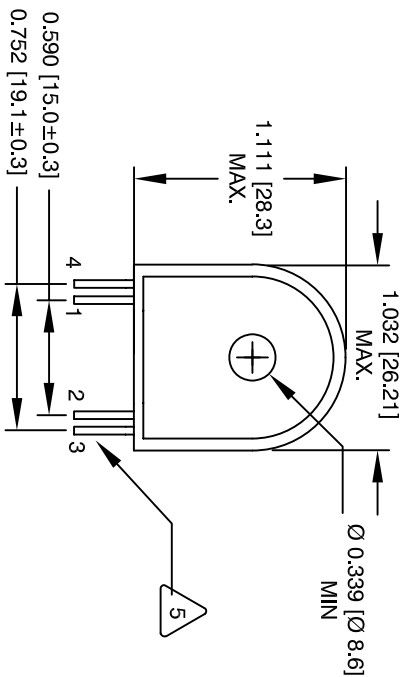
The information contained in this drawing is the sole property of Coil Winding Specialist, Inc. Any reproduction in part or whole without written permission of Coil Winding Specialist, Inc. is prohibited.



Note: All measurements are carried out using rms value responding meter. The terminating resistor and the 1-turn primary are not supplied.

- 7 BUILT TO ROHS COMPLIANCE
- 6 AT THE BACK OF THE PART.
MARK PART NUMBER AND REVISION
- 5 REMOVE INSULATION, SOLDERED TO LEADS

- 4 CONSTRUCTION: ENCAPSULATED USING BOBBIN, DIELECTRIC WITHSTANDING VOLTAGE (HI-POT): 2.5K Vrms
FREQUENCY BAND: 50Hz - 60Hz
OPERATING TEMP. = - 25 °C TO 80 °C
DC RESISTANCE @ 25 °C = 40 OHMS MAX
BURDEN RESISTOR (RL) = 100 OHMS
MIN AC PRIMARY CURRENT (I min) = 0.01 AMPS
MAX AC PRIMARY CURRENT (I max) = 30 AMPS
ACCURACY CLASS = 1.0 %
OUTPUT VOLTAGE (V out) = 1.504 V
RATED PRIMARY CURRENT (I_p) = 0.01 A - 15 A
SPECIFICATIONS @ 25 °C :
- 3 WIRE: UL RECOGNIZED 130 °C RATED MAGNET WIRE
CWS BYTEMARK OR OTHER APPROVED PART
- 2 CORE: TAPE WOUND
- 1 BOBBIN RATING CLASS B (130 °C) REQUIRED
MATERIAL: UL RECOGNIZED 94V-0 FOR FLAMMABILITY
ALL MATERIAL USED ARE IN ACCORDANCE WITH UL REQUIREMENTS
UNIT: INCHES [MM]



REVISION HISTORY		SIGN & DATE				
REV	ECN	DESCRIPTION	BY	DATE	CHK	DATE
A		PRODUCTION RELEASE	GN	05/29/09	KC	05/29/09
B	130730	REMOVE/ADD NOTES AND DIMENSIONS AND LABEL	AK	07/30/13	BO	07/30/13

Note: Pin 3 and 4 are only used for mechanical mounting on to PCB

UNLESS OTHERWISE SPECIFIED	
DIMENSIONING AND TOLERANCING PER ANSI Y14.5M AND [MILLIMETERS]	
TOLERANCE INCHES:	± = ±0.30°
XXX ± 0.10 XX ± 0.20	± = ±0.30°
XX ± 0.25 X ± 0.51	± = ±0.30°
ANGLE PROJECTION	DO NOT SCALE DRAWING

QTY	CODE	IDENT	MFG. P/N	DESCRIPTION	ITEM NO.
				PARTS LIST	
	AUTOCAD	X			
	SOLIDWORKS				
	SIGN	DATE			
	DRWING	GN	05/22/09		
	CHKD	KC	05/22/09		
	ENGR.	KC	05/22/09		
	APPR.	KC	05/22/09		
	SIZE	DWG. NO.			REV
	B	CT-1002-101			B
	SCALE	NOT TO SCALE			
	SHEET	1	OF	1	

COLLWS COM, INC
CWS Coil Winding Specialist, Inc.
353 W. Grove Avenue
Orange, CA 92865

TITLE: 15A Current Sense Transformer