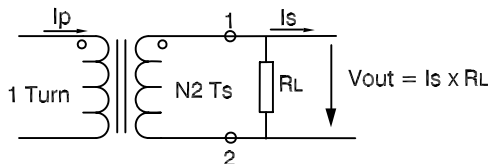


The information contained in this drawing is the sole property of Coil Winding Specialist, Inc. Any reproduction in part or whole without written permission of Coil Winding Specialist, Inc. is prohibited.



**SCHMATIC**

Note: All measurements are carried out using rms value responding meter. The terminating resistor and the 1-turn primary are not supplied.

7 BUILD TO RoHS COMPLIANCE AND LEAD FREE

6 WHERE SHOWN  
MARK PART NUMBER AND REVISION

5 REMOVE INSULATION, SOLDERED TO LEADS

4 CONSTRUCTION: ENCAPSULATED USING BOBBIN.  
DIELECTRIC WITHSTANDING VOLTAGE (HI-POT): 2.5K Vrms  
FREQUENCY BAND: 50Hz - 60Hz  
OPERATING TEMP. = - 25 °C TO 80 °C  
DC RESISTANCE @ 25 °C = 31 OHMS  
PHASE SHIFT = 4.0°  
RATIO ERROR = -0.013 %  
BURDEN RESISTOR (RL) = 100 OHMS  
MIN AC PRIMARY CURRENT (I min) = 0.02 AMPS  
MAX AC PRIMARY CURRENT (I max) = 40 AMPS  
ACCURACY CLASS = 0.5 %  
OUTPUT VOLTAGE (V out) = 1.497 V  
RATED PRIMARY CURRENT (Ir) = 0.02 A - 15 A

3 SPECIFICATIONS @ 25 °C :

WIRE: UL RECOGNIZED 130 °C RATED MAGNET WIRE  
CWS BYTE-MARK OR OTHER APPROVED PART  
CORE: TAPE WOUND

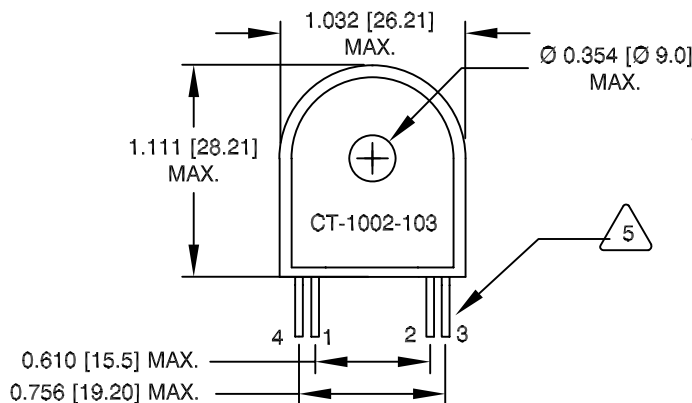
2

BOBBIN RATING CLASS B (130 °C ) REQUIRED

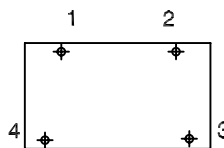
1 MATERIAL: UL RECOGNIZED 94V-0 FOR FLAMMABILITY  
ALL MATERIAL USED ARE IN ACCORDANCE WITH UL REQUIREMENTS

UNIT: INCHES [MM]

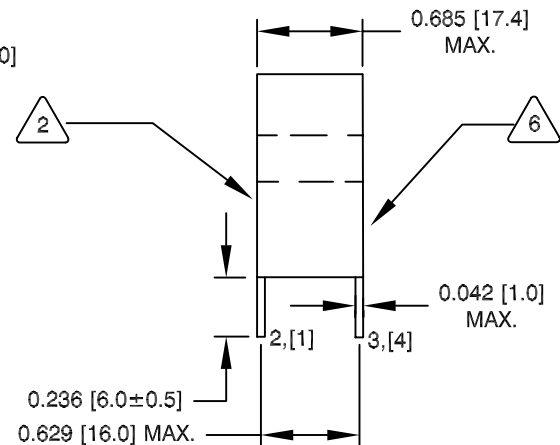
REVISION HISTORY						
REV	ECN	DESCRIPTION	SIGN & DATE			
			BY	DATE	CHK	DATE
A		PRODUCTION RELEASE	GN	05/29/09	KC	05/29/09



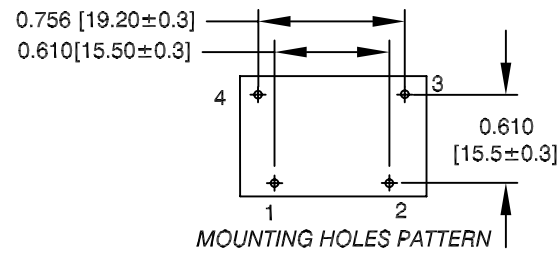
**FRONT VIEW**



**BOTTOM VIEW**



**SIDE VIEW**



**MOUNTING HOLES PATTERN**

Note: Pin 3 and 4 are only used for mechanical mounting on to PCB

QTY	CODE IDENT	MFG. P/N	DESCRIPTION	ITEM NO.
<b>PARTS LIST</b>				
AUTOCAD		X		
SOLIDWORKS				
DRAWN		GN	05/22/09	
CHECKED		KC	05/22/09	
ENGR.		KC	05/22/09	
APPR.		KC	05/22/09	
UNLESS OTHERWISE SPECIFIED				
DIMENSIONING AND TOLERANCE PER ANSI Y14.5M				
ALL DIMENSIONS ARE IN INCHES AND [MILLIMETERS].				
TOLERANCE INCHES:		.XXX=±.010 .XX=±.020 <math>\angle=±0°30'</math>		
TOLERANCE METRICS:		.XXX=±.254 .XX=±.51 <math>\angle=±0°30'</math>		
ANGLE PROJECTION				
DO NOT SCALE DRAWING				
COILWS COM, INC		CWS Coil Winding Specialist, Inc.		
www.coilws.com		353 W. Grove Avenue Orange, CA 92865		
TITLE:		15A Current Sense Transformer		
SIZE	DWG. NO.	CT-1002-103		REV
B				A
SCALE		NOT_TO_SCALE		SHEET 1 OF 1

### CT-1002-103

