

Specification for Approval

| | |
|------------------------------------|--------------------|
| CUSTOMER: | PAGE: 2 OF 3 |
| PART NUMBER: SP-1207-SERIES | REVISION: A1 |
| DRAWN NUMBER: | DATE: DEC 28, 2008 |
| DESCRIPTION: | |
| Quantity per Reel 500 pcs per Reel | |

SP-1207-SERIES SPECIFICATION

| | CWS Part Number | L (μH) ±20% | Test Frequency | DCR (mΩ) | IDC (Amp) Max |
|----|-----------------|-------------|------------------|----------|---------------|
| 1 | SP-1207-1R0 | 1.0 | 100 kHz @ 250 mV | 2.0 | 15.0 |
| 2 | SP-1207-1R2 | 1.2 | | 7.0 | 9.80 |
| 3 | SP-1207-3R3 | 2.4 | | 11.5 | 8.00 |
| 4 | SP-1207-3R5 | 3.5 | | 13.5 | 7.50 |
| 5 | SP-1207-4R7 | 4.7 | | 15.8 | 6.80 |
| 6 | SP-1207-6R1 | 6.1 | | 17.6 | 6.60 |
| 7 | SP-1207-7R6 | 7.6 | | 20.0 | 5.90 |
| 8 | SP-1207-100 | 10 | 1 kHz @ 250 mV | 21.6 | 5.40 |
| 9 | SP-1207-120 | 12 | | 24.3 | 4.90 |
| 0 | SP-1207-150 | 15 | | 27.0 | 4.50 |
| 11 | SP-1207-180 | 18 | | 39.2 | 3.90 |
| 12 | SP-1207-220 | 22 | | 43.2 | 3.60 |
| 13 | SP-1207-270 | 27 | | 45.9 | 3.40 |
| 14 | SP-1207-330 | 33 | | 64.8 | 3.00 |
| 15 | SP-1207-390 | 39 | | 72.9 | 2.75 |
| 16 | SP-1207-470 | 47 | | 100 | 2.50 |
| 17 | SP-1207-560 | 56 | | 110 | 2.35 |
| 18 | SP-1207-680 | 68 | | 140 | 2.10 |
| 19 | SP-1207-820 | 82 | | 160 | 1.95 |
| 20 | SP-1207-101 | 100 | | 220 | 1.70 |
| 21 | SP-1207-121 | 120 | | 250 | 1.60 |
| 22 | SP-1207-151 | 150 | | 280 | 1.42 |
| 23 | SP-1207-181 | 180 | | 350 | 1.30 |
| 24 | SP-1207-221 | 220 | | 390 | 1.16 |
| 25 | SP-1207-271 | 270 | | 560 | 1.06 |
| 26 | SP-1207-331 | 330 | | 640 | 0.95 |
| 27 | SP-1207-391 | 390 | | 700 | 0.88 |
| 28 | SP-1207-471 | 470 | | 980 | 0.79 |
| 29 | SP-1207-561 | 560 | | 1070 | 0.73 |
| 30 | SP-1207-681 | 680 | | 1460 | 0.67 |
| 31 | SP-1207-821 | 820 | | 1640 | 0.60 |
| 32 | SP-1207-102 | 1000 | | 1820 | 0.55 |

Note: Inductance Tolerance: K=10% M=20%

TEST INSTRUMENTS

L (Inductance) Quadtech 7600; Zentech LCR Meter 3305, Zentech LCR Meter 1075 or EQUAL

DCR (Resistance) Zentech LCR 3305 or EQUAL

IDC Quadtech 7600; Zentech 3305 and Zentech 1320 or EQUAL



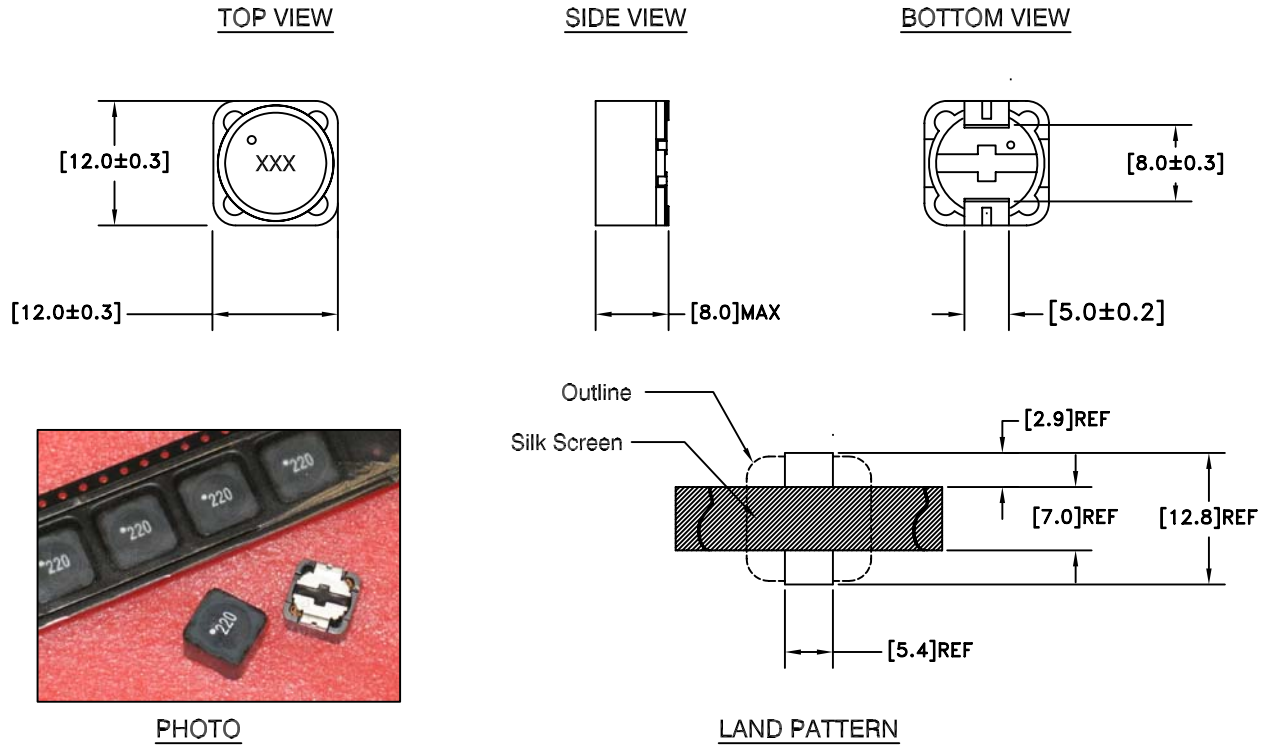
NOTES: IDC : BASED ON INDUCTANCE CHANGE ($|\Delta L/L_0| \leq 25\%$)

$$\Delta L = L_{(IDC)} - L_{0A}$$

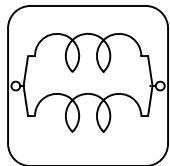
SPECIFICATION FOR APPROVAL

Customer: _____
 Part Number: **SP-1207-SERIES**
 Drawing Number _____
 Description: **SMT SHIELED POWER CHOKE INDUCTOR**

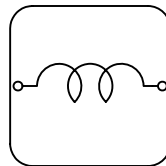
1. SHAPE & DIMENSION



2. ELECTRICAL SCHEMATICS



1.2 uH ~ 56 uH



68 uH ~ 1000 uH

The information contained in this drawing is the sole property of CWS Coil Winding Specialist, Inc. Any reproduction in part or in whole without the written permission of CWS Coil Winding Specialist is strictly prohibited

| | | | | |
|--|-----------|----------|--------------------------------------|---|
| UNLESS OTHERWISE SPECIFIED | SIGN | DATE | CWS www.coilws.com | CWS Coil Winding Specialist, Inc 858 W Grove Ave Orange, CA 92668 |
| DIMENSIONING AND TOLERANCE PER ANSI Y14.5M ALL DIMENSIONS ARE IN INCHES AND/OR (MILLIMETERS) | DRAWN CT | 12/28/08 | SMT SHIELDED POWER CHOKE INDUCTOR | |
| TOLERANCE INCHES: XXX=±0.005 XXX=±0.015 | DESIGN RA | 12/28/08 | | |
| TOLERANCE METRICS: XXX=±0.127 XXX=±0.38 (±=±0.30) | ENGR. KLC | 12/28/08 | | |
| ANGLE PROJECTION | APPR. KLC | 12/28/08 | | |
| DO NOT SCALE DRAWING | | | SIZE DWG. NO. B SP-1207-XXX | REV --- |
| | | | SCALE NONE | SHEET 3 OF 3 |