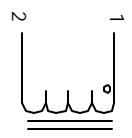


The information contained in this drawing is the sole property of CWS Coil Winding Specialist. Any reproduction in part or whole without written permission of CWS Coil Winding Specialist is prohibited.

REVISION HISTORY

REV	ECN	DESCRIPTION	DATE	BY	CHK	DATE
B		PRODUCTION RELEASE	9/20/04	RRR	JLU	9/20/04



SCHEMATIC

- 6 ON TOP OF COVER
- IF APPLICABLE, MARK PART NUMBER

- 5 TINNED TERMINALS

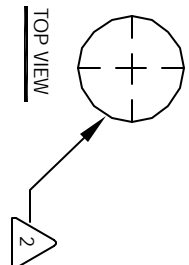
- 4 CONSTRUCTION:
 - MIN. Q = 50
 - MAX DC RESISTANCE = 1.0 OHMS
 - WINDING WIRE SIZE = 0.2MM
 - L = 100.0 MH ± 10%, 79.6 KHZ
 - OPERATING TEMP = -20 °C TO +100 °C
 - MAX TEMP. RISE = 20 °C

- 3 SPECIFICATIONS:

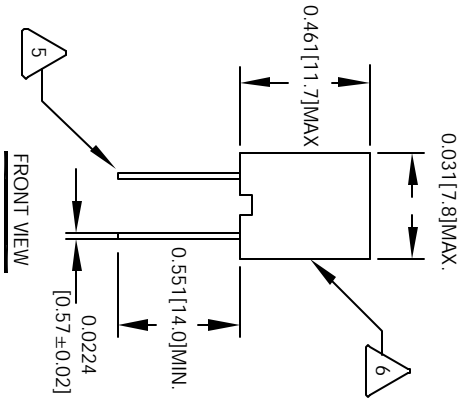
- EPOXY: 2 PART HIGH TEMP.
- OUTER JACKET: 94V-0 INSULATOR
- WIRE: UL RECOGNIZED 130 °C RATED MAGNET WIRE
- CWS BYTE-MARK OR OTHER APPROVED PART
- CORE: POWER FERRITE DRUM CORE

- 1 MATERIAL: UL RECOGNIZED 94V-0 FOR FLAMMABILITY
- BOBBIN RATING CLASS B (130°C) REQUIRED
- NOTES: UNLESS OTHERWISE SPECIFIED.

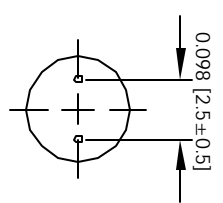
EP FORM0005 REV 3 10/01



TOP VIEW



FRONT VIEW



MOUNTING HOLES PATTERN

QTY	CODE	MFG. P/N	DESCRIPTION	ITEM NO.
	IDENT		PARTS LIST	
			COILWS.COM, INC	
			1510 E. Edinger Ave.	
			Unit B, Santa Ana, CA, 92705	
			TITLE:	
			Potted Radial Power Chokes	
			SIZE:	
			B	
			SCALE:	
			2=1	
			SHEET 1 OF 1	

CAD-FILE: