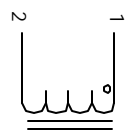


The information contained in this drawing is the sole property of CWS Coil Winding Specialist. Any reproduction in part or whole without written permission of CWS Coil Winding Specialist is prohibited.

REVISION HISTORY

REV	ECN	DESCRIPTION	DATE	BY	DATE
B		PRODUCTION RELEASE	9/20/04	JLAU	9/20/04



SCHEMATIC

- 6 ON TOP OF COVER
IF APPLICABLE, MARK PART NUMBER

- 5 TINNED TERMINALS

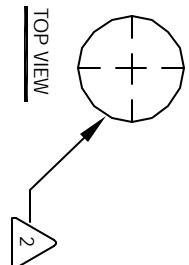
- 4 CONSTRUCTION:
MIN. Q = 80
MAX DC RESISTANCE = 40.0 OHMS
WINDING WIRE SIZE = 0.07 MM
L = 10.0 mH ± 10%, 79.6 KHZ
OPERATING TEMP = -20 °C TO +100 °C
MAX TEMP. RISE = 20 °C

- 3 SPECIFICATIONS:

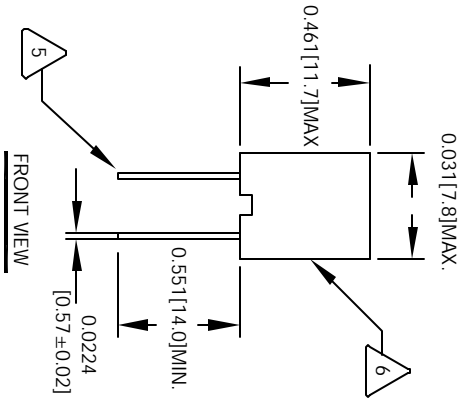
- 2 EPOXY: 2 PART HIGH TEMP.
OUTER JACKET: 94V-0 INSULATOR
WIRE: UL RECOGNIZED 130 °C RATED MAGNET WIRE
CWS BYTEMARK OR OTHER APPROVED PART
CORE: POWER FERRITE DRUM CORE

- 1 BOBBIN RATING CLASS B (130°C) REQUIRED
MATERIAL: UL RECOGNIZED 94V-0 FOR FLAMMABILITY

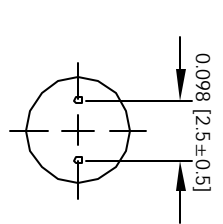
NOTES: UNLESS OTHERWISE SPECIFIED.



TOP VIEW



FRONT VIEW



MOUNTING HOLES PATTERN

UNLESS OTHERWISE SPECIFIED
DRAWING AND TOLERANCE PER ANSI Y14.5M
ALL DIMENSIONS ARE IN INCHES AND [DIMENSIONS]
TOLERANCE ANGLES: ±0.30°
±0.010, ±0.020 TOLERANCE METRICS
±0.254, ±0.51
ANGLE PROJECTION
DO NOT SCALE DRAWING

QTY	CODE IDENT	MFG. P/N	DESCRIPTION	ITEM NO.
			PARTS LIST	
			COILS.COM, INC	
			1510 E. Edinger Ave.	
			Unit B, Santa Ana, CA, 92705	
			CWS Coil Winding Specialist.	
			COILS.COM, INC	
			WWW.COILS.COM	
			DRWN RFR	9/20/04
			QDRD JLAU	9/20/04
			ENGR KSUM	9/20/04
			APPR JLAU	9/20/04
			SIZE DRW. ML	
			B	
			M0711-103K	REV B
			SCALE 2=1	SHEET 1 OF 1

Potted Radial Power Chokes