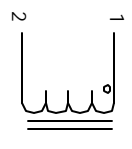


The information contained in this drawing is the sole property of CWS Coil Winding Specialist. Any reproduction in part or whole without written permission of CWS Coil Winding Specialist is prohibited.

REVISION HISTORY			SIGN & DATE	
REV	ECN	DESCRIPTION	BY	DATE
B		PRODUCTION RELEASE	RRR	9/20/04
			JLAU	9/20/04



SCHEMATIC

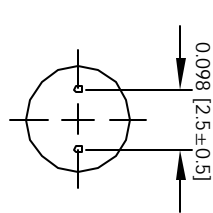
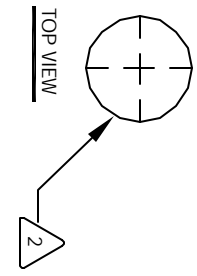
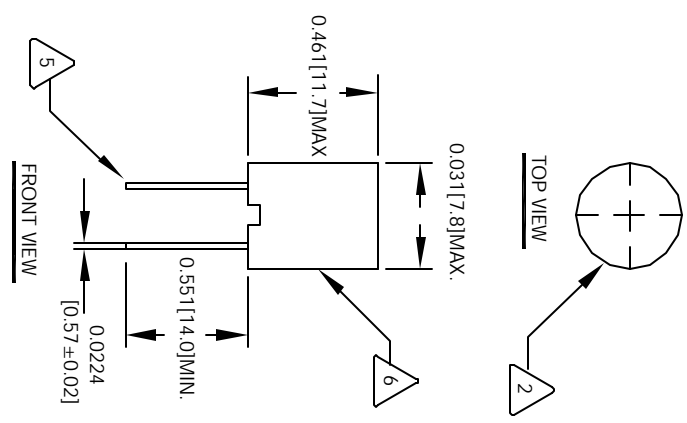
- 6 ON TOP OF COVER
- IF APPLICABLE, MARK PART NUMBER

- 5 TINNED TERMINALS

- 4 CONSTRUCTION:
  - MIN. Q = 50
  - MAX DC RESISTANCE = 1.3 OHMS
  - WINDING WIRE SIZE = 0.14 MM
  - L = 150.0 MH ± 10 %, 79.6 KHZ
  - OPERATING TEMP = -20 °C TO +100 °C
  - MAX TEMP. RISE = 20 °C

- 3 SPECIFICATIONS:
  - EPOXY: 2 PART HIGH TEMP.
  - OUTER JACKET: 94V-0 INSULATOR
  - WIRE: UL RECOGNIZED 130 °C RATED MAGNET WIRE
  - CWS BYTEMARK OR OTHER APPROVED PART
  - CORE: POWER FERRITE DRUM CORE

- 1 MATERIAL: UL RECOGNIZED 94V-0 FOR FLAMMABILITY
- BOBBIN RATING CLASS B (130°C) REQUIRED
- NOTES: UNLESS OTHERWISE SPECIFIED.



MOUNTING HOLES PATTERN

QTY		CODE		MFG. P/N		DESCRIPTION		ITEM NO.
IDENT		IDENT		PARTS LIST				
			X			CWS Coil Winding Specialist.		
AUTOCAD SOLIDWORKS		SIGN		DATE		1510 E. Edinger Ave.		
						LHR. B. Sarno, Auto. CA. 92705		
DRAWN		RRR	9/20/04	TITLE:		Potted Radial Power Chokes		
CHECKED		JLAU	9/20/04	SIZE		DRW. NO.	M0711-151K	REV B
ENGR.		KSUM	9/20/04	SCALE			2=1	
APPR.		JLAU	9/20/04	DO NOT SCALE DRAWING				