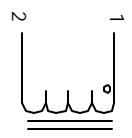


The information contained in this drawing is the sole property of CWS Coil Winding Specialist. Any reproduction in part or whole without written permission of CWS Coil Winding Specialist is prohibited.

REVISION HISTORY

| REV | ECN | DESCRIPTION        | DATE    | BY  | DATE    |
|-----|-----|--------------------|---------|-----|---------|
| B   |     | PRODUCTION RELEASE | 9/20/04 | RRR | 9/20/04 |



SCHEMATIC

- 6 ON TOP OF COVER
- IF APPLICABLE, MARK PART NUMBER

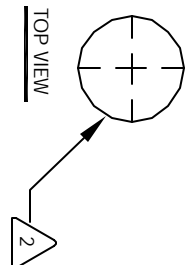
- 5 TINNED TERMINALS

- 4 CONSTRUCTION:
  - MIN. Q = 30
  - MAX DC RESISTANCE = 0.3 OHMS
  - WINDING WIRE SIZE = 0.02 MM
  - L = 22.0 mH ± 10%, 25.2 KHZ
  - OPERATING TEMP = -20 °C TO +100 °C
  - MAX TEMP. RISE = 20 °C

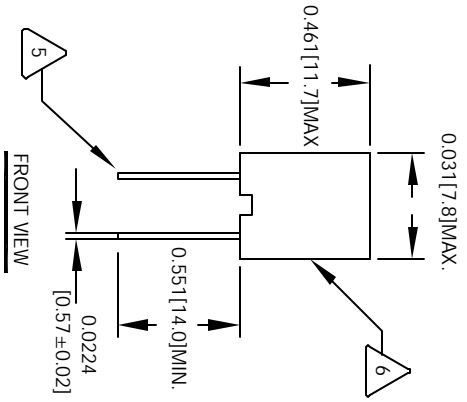
- 3 SPECIFICATIONS:

- EPOXY: 2 PART HIGH TEMP.
- OUTER JACKET: 94V-0 INSULATOR
- WIRE: UL RECOGNIZED 130 °C RATED MAGNET WIRE
- CWS BYTE-MARK OR OTHER APPROVED PART
- CORE: POWER FERRITE DRUM CORE

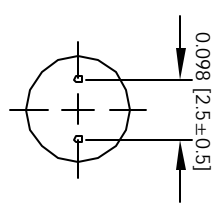
- 1 MATERIAL: UL RECOGNIZED 94V-0 FOR FLAMMABILITY
- BOBBIN RATING CLASS B (130°C) REQUIRED
- NOTES: UNLESS OTHERWISE SPECIFIED.



TOP VIEW



FRONT VIEW



MOUNTING HOLES PATTERN

| QTY   | CODE                         | MFG. P/N   | DESCRIPTION  | ITEM NO. |                            |                             |                 |                     |                            |                                       |            |         |  |       |   |              |         |  |  |                   |      |         |  |  |                         |      |         |  |  |                        |  |  |  |  |                  |  |  |  |  |                      |  |  |  |  |
|---|------------------------------|------------|--------------|----------|----------------------------|-----------------------------|-----------------|---------------------|----------------------------|---------------------------------------|------------|---------|--|-------|---|--------------|---------|--|--|-------------------|------|---------|--|--|-------------------------|------|---------|--|--|------------------------|--|--|--|--|------------------|--|--|--|--|----------------------|--|--|--|--|
|   | IDENT                        |            | PARTS LIST   |          |                            |                             |                 |                     |                            |                                       |            |         |  |       |   |              |         |  |  |                   |      |         |  |  |                         |      |         |  |  |                        |  |  |  |  |                  |  |  |  |  |                      |  |  |  |  |
| <table border="1"> <tr> <td>UNLESS OTHERWISE SPECIFIED</td> <td></td> <td></td> <td></td> <td></td> </tr> <tr> <td>DRAWING AND TOLERANCE PER ANSI Y14.5M</td> <td>DATE</td> <td></td> <td></td> <td></td> </tr> <tr> <td>ALL DIMENSIONS ARE IN INCHES AND [DIMENSIONS]</td> <td>DATE</td> <td></td> <td></td> <td></td> </tr> <tr> <td>TOLERANCE NOTICES</td> <td></td> <td></td> <td></td> <td></td> </tr> <tr> <td>XXXX ± 0.10 .XX ± 1.00Z</td> <td></td> <td></td> <td></td> <td></td> </tr> <tr> <td>XXXX ± 0.25 .XX ± 3.17</td> <td></td> <td></td> <td></td> <td></td> </tr> <tr> <td>ANGLE PROJECTION</td> <td></td> <td></td> <td></td> <td></td> </tr> <tr> <td>DO NOT SCALE DRAWING</td> <td></td> <td></td> <td></td> <td></td> </tr> </table> |                              |            |              |          | UNLESS OTHERWISE SPECIFIED |                             |                 |                     |                            | DRAWING AND TOLERANCE PER ANSI Y14.5M | DATE       |         |  |       | ALL DIMENSIONS ARE IN INCHES AND [DIMENSIONS] | DATE         |         |  |  | TOLERANCE NOTICES |      |         |  |  | XXXX ± 0.10 .XX ± 1.00Z |      |         |  |  | XXXX ± 0.25 .XX ± 3.17 |  |  |  |  | ANGLE PROJECTION |  |  |  |  | DO NOT SCALE DRAWING |  |  |  |  |
| UNLESS OTHERWISE SPECIFIED  |                              |            |              |          |                            |                             |                 |                     |                            |                                       |            |         |  |       |   |              |         |  |  |                   |      |         |  |  |                         |      |         |  |  |                        |  |  |  |  |                  |  |  |  |  |                      |  |  |  |  |
| DRAWING AND TOLERANCE PER ANSI Y14.5M   | DATE                         |            |              |          |                            |                             |                 |                     |                            |                                       |            |         |  |       |   |              |         |  |  |                   |      |         |  |  |                         |      |         |  |  |                        |  |  |  |  |                  |  |  |  |  |                      |  |  |  |  |
| ALL DIMENSIONS ARE IN INCHES AND [DIMENSIONS]   | DATE                         |            |              |          |                            |                             |                 |                     |                            |                                       |            |         |  |       |   |              |         |  |  |                   |      |         |  |  |                         |      |         |  |  |                        |  |  |  |  |                  |  |  |  |  |                      |  |  |  |  |
| TOLERANCE NOTICES   |                              |            |              |          |                            |                             |                 |                     |                            |                                       |            |         |  |       |   |              |         |  |  |                   |      |         |  |  |                         |      |         |  |  |                        |  |  |  |  |                  |  |  |  |  |                      |  |  |  |  |
| XXXX ± 0.10 .XX ± 1.00Z   |                              |            |              |          |                            |                             |                 |                     |                            |                                       |            |         |  |       |   |              |         |  |  |                   |      |         |  |  |                         |      |         |  |  |                        |  |  |  |  |                  |  |  |  |  |                      |  |  |  |  |
| XXXX ± 0.25 .XX ± 3.17  |                              |            |              |          |                            |                             |                 |                     |                            |                                       |            |         |  |       |   |              |         |  |  |                   |      |         |  |  |                         |      |         |  |  |                        |  |  |  |  |                  |  |  |  |  |                      |  |  |  |  |
| ANGLE PROJECTION  |                              |            |              |          |                            |                             |                 |                     |                            |                                       |            |         |  |       |   |              |         |  |  |                   |      |         |  |  |                         |      |         |  |  |                        |  |  |  |  |                  |  |  |  |  |                      |  |  |  |  |
| DO NOT SCALE DRAWING  |                              |            |              |          |                            |                             |                 |                     |                            |                                       |            |         |  |       |   |              |         |  |  |                   |      |         |  |  |                         |      |         |  |  |                        |  |  |  |  |                  |  |  |  |  |                      |  |  |  |  |
| <table border="1"> <tr> <td>AUTOCAD SOLIDWORKS SIGN</td> <td>X</td> <td></td> <td></td> <td></td> </tr> <tr> <td>DRAWN</td> <td>RRR</td> <td>9/20/04</td> <td></td> <td></td> </tr> <tr> <td>QDRG</td> <td>JLAW</td> <td>9/20/04</td> <td></td> <td></td> </tr> <tr> <td>ENGR</td> <td>KSUM</td> <td>9/20/04</td> <td></td> <td></td> </tr> <tr> <td>APPR</td> <td>JLAW</td> <td>9/20/04</td> <td></td> <td></td> </tr> </table>  |                              |            |              |          | AUTOCAD SOLIDWORKS SIGN    | X                           |                 |                     |                            | DRAWN                                 | RRR        | 9/20/04 |  |       | QDRG  | JLAW         | 9/20/04 |  |  | ENGR              | KSUM | 9/20/04 |  |  | APPR                    | JLAW | 9/20/04 |  |  |                        |  |  |  |  |                  |  |  |  |  |                      |  |  |  |  |
| AUTOCAD SOLIDWORKS SIGN   | X                            |            |              |          |                            |                             |                 |                     |                            |                                       |            |         |  |       |   |              |         |  |  |                   |      |         |  |  |                         |      |         |  |  |                        |  |  |  |  |                  |  |  |  |  |                      |  |  |  |  |
| DRAWN   | RRR                          | 9/20/04    |              |          |                            |                             |                 |                     |                            |                                       |            |         |  |       |   |              |         |  |  |                   |      |         |  |  |                         |      |         |  |  |                        |  |  |  |  |                  |  |  |  |  |                      |  |  |  |  |
| QDRG  | JLAW                         | 9/20/04    |              |          |                            |                             |                 |                     |                            |                                       |            |         |  |       |   |              |         |  |  |                   |      |         |  |  |                         |      |         |  |  |                        |  |  |  |  |                  |  |  |  |  |                      |  |  |  |  |
| ENGR  | KSUM                         | 9/20/04    |              |          |                            |                             |                 |                     |                            |                                       |            |         |  |       |   |              |         |  |  |                   |      |         |  |  |                         |      |         |  |  |                        |  |  |  |  |                  |  |  |  |  |                      |  |  |  |  |
| APPR  | JLAW                         | 9/20/04    |              |          |                            |                             |                 |                     |                            |                                       |            |         |  |       |   |              |         |  |  |                   |      |         |  |  |                         |      |         |  |  |                        |  |  |  |  |                  |  |  |  |  |                      |  |  |  |  |
| <table border="1"> <tr> <td>TITLE</td> <td>SIZE</td> <td>DRW. NO.</td> <td>REV</td> </tr> <tr> <td>Potted Radial Power Chokes</td> <td>B</td> <td>M0711-220K</td> <td>B</td> </tr> <tr> <td></td> <td>SCALE</td> <td>2=1</td> <td>SHEET 1 OF 1</td> </tr> </table>  |                              |            |              |          | TITLE                      | SIZE                        | DRW. NO.        | REV                 | Potted Radial Power Chokes | B                                     | M0711-220K | B       |  | SCALE | 2=1   | SHEET 1 OF 1 |         |  |  |                   |      |         |  |  |                         |      |         |  |  |                        |  |  |  |  |                  |  |  |  |  |                      |  |  |  |  |
| TITLE   | SIZE                         | DRW. NO.   | REV          |          |                            |                             |                 |                     |                            |                                       |            |         |  |       |   |              |         |  |  |                   |      |         |  |  |                         |      |         |  |  |                        |  |  |  |  |                  |  |  |  |  |                      |  |  |  |  |
| Potted Radial Power Chokes  | B                            | M0711-220K | B            |          |                            |                             |                 |                     |                            |                                       |            |         |  |       |   |              |         |  |  |                   |      |         |  |  |                         |      |         |  |  |                        |  |  |  |  |                  |  |  |  |  |                      |  |  |  |  |
|   | SCALE                        | 2=1        | SHEET 1 OF 1 |          |                            |                             |                 |                     |                            |                                       |            |         |  |       |   |              |         |  |  |                   |      |         |  |  |                         |      |         |  |  |                        |  |  |  |  |                  |  |  |  |  |                      |  |  |  |  |
| <table border="1"> <tr> <td>COWLS COIL, INC</td> <td>CWS Coil Winding Specialist</td> </tr> <tr> <td>WWW.COWLS.COILM</td> <td>1510 E. Edinger Ave</td> </tr> <tr> <td></td> <td>LHR, B. Santa Ana, CA, 92705</td> </tr> </table>  |                              |            |              |          | COWLS COIL, INC            | CWS Coil Winding Specialist | WWW.COWLS.COILM | 1510 E. Edinger Ave |                            | LHR, B. Santa Ana, CA, 92705          |            |         |  |       |   |              |         |  |  |                   |      |         |  |  |                         |      |         |  |  |                        |  |  |  |  |                  |  |  |  |  |                      |  |  |  |  |
| COWLS COIL, INC   | CWS Coil Winding Specialist  |            |              |          |                            |                             |                 |                     |                            |                                       |            |         |  |       |   |              |         |  |  |                   |      |         |  |  |                         |      |         |  |  |                        |  |  |  |  |                  |  |  |  |  |                      |  |  |  |  |
| WWW.COWLS.COILM   | 1510 E. Edinger Ave          |            |              |          |                            |                             |                 |                     |                            |                                       |            |         |  |       |   |              |         |  |  |                   |      |         |  |  |                         |      |         |  |  |                        |  |  |  |  |                  |  |  |  |  |                      |  |  |  |  |
|   | LHR, B. Santa Ana, CA, 92705 |            |              |          |                            |                             |                 |                     |                            |                                       |            |         |  |       |   |              |         |  |  |                   |      |         |  |  |                         |      |         |  |  |                        |  |  |  |  |                  |  |  |  |  |                      |  |  |  |  |