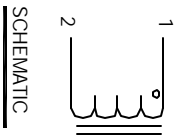


The information contained in this drawing is the sole property of CWS Coil Winding Specialist. Any reproduction in part or whole without written permission of CWS Coil Winding Specialist is prohibited.

REVISION HISTORY

REV	ECN	DESCRIPTION	DATE	BY	DATE	CHK	DATE
B		PRODUCTION RELEASE	9/20/04	RRR	9/20/04	JLU	9/20/04



6 ON TOP OF COVER
IF APPLICABLE, MARK PART NUMBER

5 TINNED TERMINALS

4 TERMINAL TENSILE STRENGTH = 2.5 KG MIN.
INSTALL COVER AND ENCAPSULATE WITH EPOXY
TERMINATED LEAD SOLDERED TO TERMINAL PINS
WIND WIRE TO CORE, EVENLY SPACED

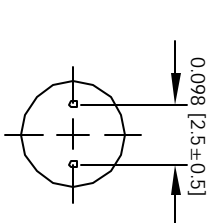
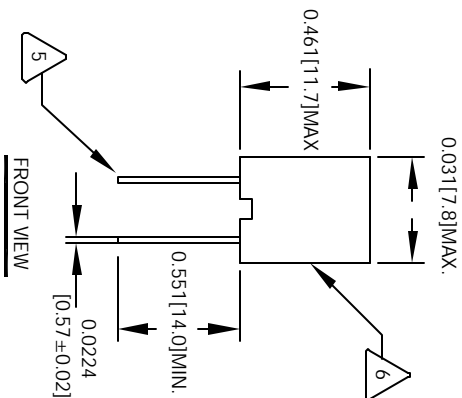
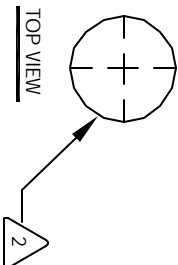
3 CONSTRUCTION:
MIN. Q = 80
MAX DC RESISTANCE = 9.0 OHMS
WINDING WIRE SIZE = 0.10 MM
L = 2.2 mH ± 10%, 25.2 KHZ
OPERATING TEMP = -20 °C TO +100 °C
MAX TEMP. RISE = 20 °C
SPECIFICATIONS:

EPOXY: 2 PART HIGH TEMP.
OUTER JACKET: 94V-0 INSULATOR
WIRE: UL RECOGNIZED 130 °C RATED MAGNET WIRE
CWS BYTEMARK OR OTHER APPROVED PART
CORE: POWER FERRITE DRUM CORE

2 BOBBIN RATING CLASS B (130°C) REQUIRED
MATERIAL: UL RECOGNIZED 94V-0 FOR FLAMMABILITY

NOTES: UNLESS OTHERWISE SPECIFIED.

EP FORM005 REV 3 10/01



UNLESS OTHERWISE SPECIFIED
DRAWING AND TOLERANCE PER ANSI Y14.5M
ALL DIMENSIONS ARE IN INCHES AND [DIMENSIONS]
TOLERANCE ANGLES: ±0.30°
±0.010, ±0.020, ±0.050, ±0.100, ±0.150, ±0.250, ±0.500, ±1.000
ANGLE PROJECTION: FIRST ANGLE
DO NOT SCALE DRAWING

QTY	CODE	MFG. P/N	DESCRIPTION	ITEM NO.
	IDENT			
	X			
AUTOCAD SOLIDWORKS SIGN		PARTS LIST		
DATE	DATE	CWS Coil Winding Specialist 1510 E. Edinger Ave. Unit B, Santa Ana, CA 92705		
DATE	DATE	TITLE: Potted Radial Power Chokes		
DATE	DATE	SIZE: DIM. IN.	REV B	
DATE	DATE	SCALE: B	M0711-222K	
DATE	DATE	SCALE: 2=1	SHEET 1 OF 1	

CAD-FILE: