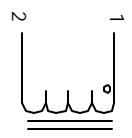


The information contained in this drawing is the sole property of CWS Coil Winding Specialist. Any reproduction in part or whole without written permission of CWS Coil Winding Specialist is prohibited.

REVISION HISTORY

REV	ECN	DESCRIPTION	DATE	BY	CHK	DATE
B		PRODUCTION RELEASE	9/20/04	RRR	JLU	9/20/04



SCHEMATIC

- 6 ON TOP OF COVER  
IF APPLICABLE, MARK PART NUMBER

- 5 TINNED TERMINALS

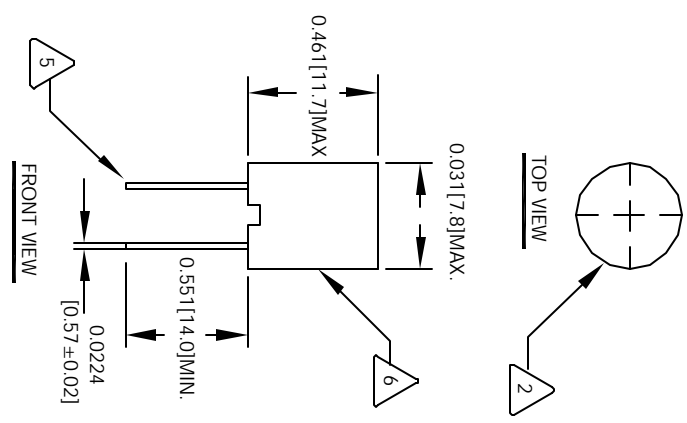
- 4 CONSTRUCTION:  
MIN. Q = 30  
MAX DC RESISTANCE = 0.35 OHMS  
WINDING WIRE SIZE = 0.2 MM  
L = 33.0 MH ± 10%, 25.2 KHZ  
OPERATING TEMP = -20 °C TO +100 °C  
MAX TEMP. RISE = 20 °C

- 3 SPECIFICATIONS:

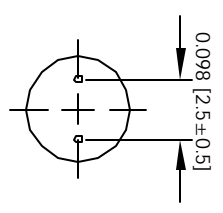
- 2 EPOXY: 2 PART HIGH TEMP.  
OUTER JACKET: 94V-0 INSULATOR  
WIRE: UL RECOGNIZED 130 °C RATED MAGNET WIRE  
CWS BYTE-MARK OR OTHER APPROVED PART  
CORE: POWER FERRITE DRUM CORE

- 1 BOBBIN RATING CLASS B (130°C) REQUIRED  
MATERIAL: UL RECOGNIZED 94V-0 FOR FLAMMABILITY

NOTES: UNLESS OTHERWISE SPECIFIED.



FRONT VIEW



MOUNTING HOLES PATTERN

QTY	CODE	MFG. P/N	DESCRIPTION	ITEM NO.
	IDENT		<b>PARTS LIST</b>	
			<b>COILWS.COM, INC</b>	
			1510 E. Edinger Ave.	
			Unit B, Santa Ana, CA, 92705	
			<b>CWS Coil Winding Specialist.</b>	
			<b>www.coilws.com</b>	
			<b>TITLE:</b>	
			<b>Potted Radial Power Chokes</b>	
			<b>SIZE:</b>	
			<b>B</b>	
			<b>M0711-330K</b>	
			<b>SCALE:</b>	
			<b>2=1</b>	
			<b>SHEET 1 OF 1</b>	