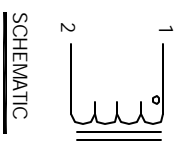


The information contained in this drawing is the sole property of CWS Coil Winding Specialist. Any reproduction in part or whole without written permission of CWS Coil Winding Specialist is prohibited.

REVISION HISTORY			
REV	ECN	DESCRIPTION	DATE
B		PRODUCTION RELEASE	9/20/04



SCHEMATIC

- 6 ON TOP OF COVER
- IF APPLICABLE, MARK PART NUMBER

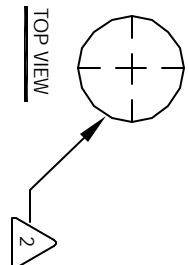
- 5 TINNED TERMINALS

- 4 CONSTRUCTION:
 - MIN. Q = 50
 - MAX DC RESISTANCE = 2.8 OHMS
 - WINDING WIRE SIZE = 0.14 MM
 - L = 330.0 MH ± 10%, 79.6 KHZ
 - OPERATING TEMP = -20 °C TO +100 °C
 - MAX TEMP. RISE = 20 °C

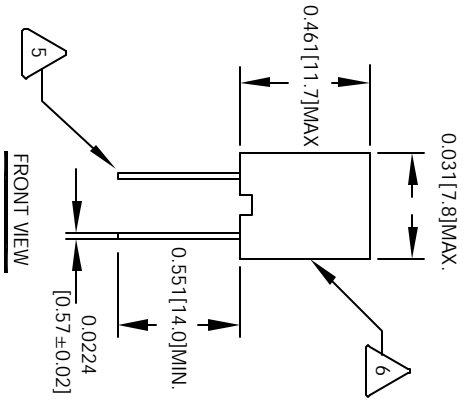
- 3 SPECIFICATIONS:

- 2
 - EPOXY: 2 PART HIGH TEMP.
 - OUTER JACKET: 94V-0 INSULATOR
 - WIRE: UL RECOGNIZED 130 °C RATED MAGNET WIRE
 - CWS BYTE-MARK OR OTHER APPROVED PART
 - CORE: POWER FERRITE DRUM CORE

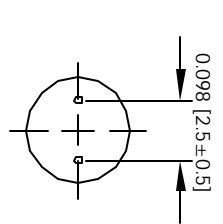
- 1 MATERIAL: UL RECOGNIZED 94V-0 FOR FLAMMABILITY
- BOBBIN RATING CLASS B (130°C) REQUIRED
- NOTES: UNLESS OTHERWISE SPECIFIED.



TOP VIEW



FRONT VIEW



MOUNTING HOLES PATTERN

QTY	CODE	MFG. P/N	DESCRIPTION	ITEM NO.																																													
	IDENT		PARTS LIST																																														
<table border="1"> <tr> <td colspan="2">UNLESS OTHERWISE SPECIFIED</td> <td colspan="3">CWS Coil Winding Specialist.</td> </tr> <tr> <td colspan="2">DRAWSHIP AND TOLERANCE PER AWS Y14.2M</td> <td colspan="3">1510 E. Edinger Ave.</td> </tr> <tr> <td colspan="2">ALL DIMENSIONS ARE IN NOTES AND DIMENSIONS</td> <td colspan="3">LHR. B. Sarno, Auto. CA. 92705</td> </tr> <tr> <td colspan="2">TOLERANCE NOTICES</td> <td colspan="3">TITLE: Potted Radial Power Chokes</td> </tr> <tr> <td colspan="2">XXXX ± 0.10, .XX ± 0.025</td> <td colspan="3">SIZE: DRG. NO. M0711-331K</td> </tr> <tr> <td colspan="2">TOLERANCE METRICS</td> <td colspan="3">SCALE: B</td> </tr> <tr> <td colspan="2">.XXX ± .25, .XX ± .1</td> <td colspan="3">2=1</td> </tr> <tr> <td colspan="2">ANGLE PROJECTION</td> <td colspan="3">SHEET 1 OF 1</td> </tr> <tr> <td colspan="2">DO NOT SCALE DRAWING</td> <td colspan="3">CAD-FILE:</td> </tr> </table>					UNLESS OTHERWISE SPECIFIED		CWS Coil Winding Specialist.			DRAWSHIP AND TOLERANCE PER AWS Y14.2M		1510 E. Edinger Ave.			ALL DIMENSIONS ARE IN NOTES AND DIMENSIONS		LHR. B. Sarno, Auto. CA. 92705			TOLERANCE NOTICES		TITLE: Potted Radial Power Chokes			XXXX ± 0.10, .XX ± 0.025		SIZE: DRG. NO. M0711-331K			TOLERANCE METRICS		SCALE: B			.XXX ± .25, .XX ± .1		2=1			ANGLE PROJECTION		SHEET 1 OF 1			DO NOT SCALE DRAWING		CAD-FILE:		
UNLESS OTHERWISE SPECIFIED		CWS Coil Winding Specialist.																																															
DRAWSHIP AND TOLERANCE PER AWS Y14.2M		1510 E. Edinger Ave.																																															
ALL DIMENSIONS ARE IN NOTES AND DIMENSIONS		LHR. B. Sarno, Auto. CA. 92705																																															
TOLERANCE NOTICES		TITLE: Potted Radial Power Chokes																																															
XXXX ± 0.10, .XX ± 0.025		SIZE: DRG. NO. M0711-331K																																															
TOLERANCE METRICS		SCALE: B																																															
.XXX ± .25, .XX ± .1		2=1																																															
ANGLE PROJECTION		SHEET 1 OF 1																																															
DO NOT SCALE DRAWING		CAD-FILE:																																															