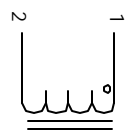


The information contained in this drawing is the sole property of CWS Coil Winding Specialist. Any reproduction in part or whole without written permission of CWS Coil Winding Specialist is prohibited.

REVISION HISTORY

REV	ECN	DESCRIPTION	DATE	BY	DATE	CHK	DATE
B		PRODUCTION RELEASE	9/20/04	RRR	9/20/04	JLU	9/20/04



SCHEMATIC

- 6 ON TOP OF COVER
- IF APPLICABLE, MARK PART NUMBER

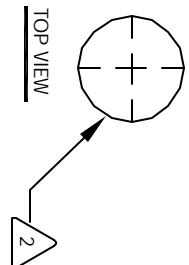
- 5 TINNED TERMINALS

- 4 CONSTRUCTION:
 - MIN. Q = 30
 - MAX DC RESISTANCE = 0.6 OHMS
 - WINDING WIRE SIZE = 0.2MM
 - L = 68.0 mH ± 10%, 25.2 KHZ
 - OPERATING TEMP = -20 °C TO +100 °C
 - MAX TEMP. RISE = 20 °C

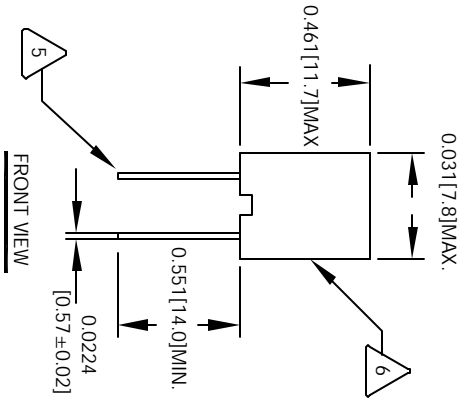
- 3 SPECIFICATIONS:

- 2
 - EPOXY: 2 PART HIGH TEMP.
 - OUTER JACKET: 94V-0 INSULATOR
 - WIRE: UL RECOGNIZED 130 °C RATED MAGNET WIRE
 - CWS BYTE-MARK OR OTHER APPROVED PART
 - CORE: POWER FERRITE DRUM CORE

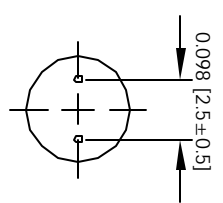
- 1 MATERIAL: UL RECOGNIZED 94V-0 FOR FLAMMABILITY
- BOBBIN RATING CLASS B (130°C) REQUIRED
- NOTES: UNLESS OTHERWISE SPECIFIED.



TOP VIEW



FRONT VIEW



MOUNTING HOLES PATTERN

UNLESS OTHERWISE SPECIFIED
DRAWING AND TOLERANCE PER ANSI Y14.5M
ALL DIMENSIONS ARE IN INCHES AND [MILLIMETERS]
TOLERANCE ANGLES: ±0.30°
±0.010, ±0.020 TOLERANCE METRICS
±0.254, ±0.51
ANGLE PROJECTION
DO NOT SCALE DRAWING

QTY	CODE	MFG. P/N	DESCRIPTION	ITEM NO.
	IDENT			
	X			
AUTOCAD SOLIDWORKS SIGN		PARTS LIST		
DATE	DATE	CWS Coil Winding Specialist 1510 E. Edinger Ave. LHR. B. Santa Ana, CA. 92705		
9/20/04	9/20/04	TITLE: Potted Radial Power Chokes		
9/20/04	9/20/04	SIZE: DRG. NO.	M0711-680K	REV B
9/20/04	9/20/04	SCALE: B	2=1	SHEET 1 OF 1