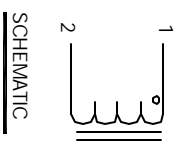


The information contained in this drawing is the sole property of CWS Coil Winding Specialist. Any reproduction in part or whole without written permission of CWS Coil Winding Specialist is prohibited.

REVISION HISTORY			
REV	ECN	DESCRIPTION	DATE
B		PRODUCTION RELEASE	9/20/04



SCHEMATIC

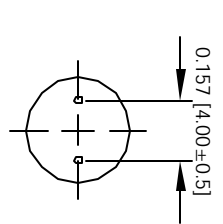
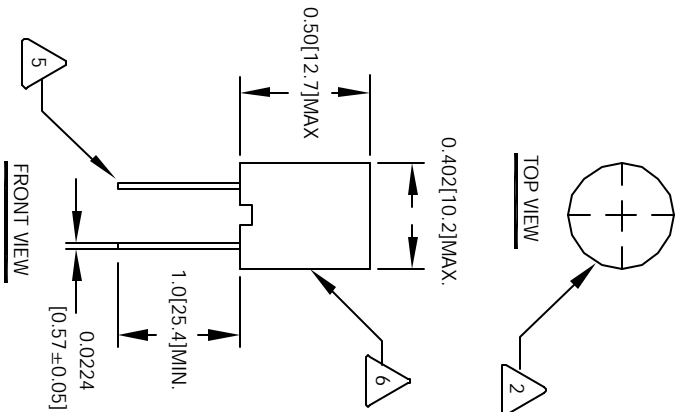
6 ON TOP OF COVER  
IF APPLICABLE, MARK PART NUMBER

5 TINNED TERMINALS

4 CONSTRUCTION:  
MIN. Q = 45  
MAX DC RESISTANCE = 19.5 OHMS  
WINDING WIRE SIZE = 0.10 MM  
L = 8.2 mH ± 10%, 25.2 KHZ  
OPERATING TEMP = -20 °C TO +100 °C  
MAX TEMP. RISE = 20 °C

3 SPECIFICATIONS:  
EPOXY: 2 PART HIGH TEMP.  
OUTER JACKET: 94V-0 INSULATOR  
WIRE: UL RECOGNIZED 130 °C RATED MAGNET WIRE  
CWS BYTEMARK OR OTHER APPROVED PART  
CORE: POWER FERRITE DRUM CORE

2 BOBBIN RATING CLASS B (130°C) REQUIRED  
1 MATERIAL: UL RECOGNIZED 94V-0 FOR FLAMMABILITY  
NOTES: UNLESS OTHERWISE SPECIFIED,



QTY	CODE	MFG. P/N	DESCRIPTION	ITEM NO.
	IDENT			
			<b>PARTS LIST</b>	
			<b>CWS Coil Winding Specialist.</b>	
			<b>1510 E. Edinger Ave.</b>	
			<b>Unit B, Santa Ana, CA, 92705</b>	
			<b>COILWS.COM, INC</b>	
			<b>WWW.COILWS.COM</b>	
			<b>TITLE:</b>	
			<b>Potted Radial Power Chokes</b>	
			<b>SIZE: DIM. IN.</b>	
			<b>B</b>	
			<b>M1012-822K</b>	
			<b>SCALE</b>	
			<b>2=1</b>	
			<b>SHEET 1 OF 1</b>	