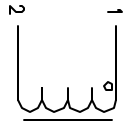


The information contained in this drawing is the sole property of CWS Coil Winding Specialist. Any reproduction in part or whole without written permission of CWS Coil Winding Specialist is prohibited.

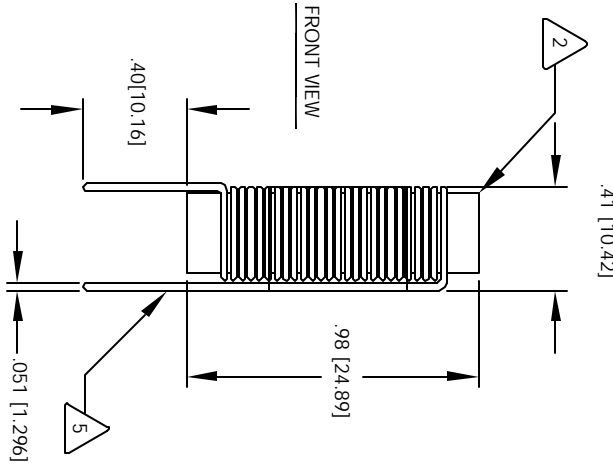
REVISION HISTORY

REV	ECN	DESCRIPTION	DATE	BY	CHK	DATE
A		PRE-PRODUCTION RELEASE	4/10/04	TKK	JLU	4/12/04

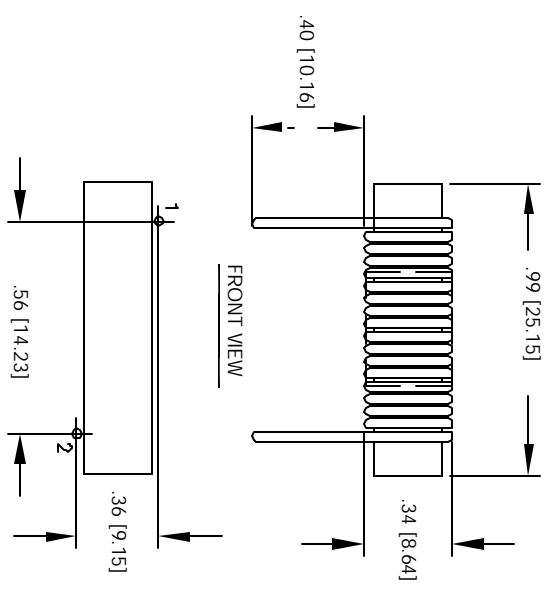
VERTICAL CONFIGURATION



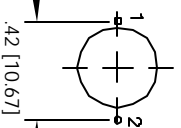
SCHEMATIC



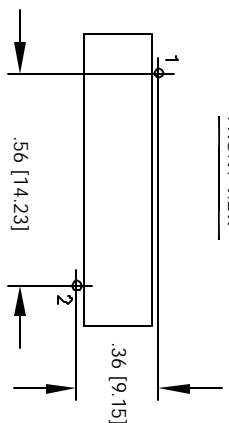
HORIZONTAL CONFIGURATION



MOUNTING HOLES PATTERN



MOUNTING HOLES PATTERN



- LEADS MUST BE TANGENT TO THE CORE FLUSH WITH THE CORE EDGE, AS SHOWN
- REMOVE INSULATION AND TIN LEADS
- WIND COILS EVENLY SPACED
- CONSTRUCTION:
- HI-POT TEST FOR CORE TO WINDING = 500 VDC
- DCR = 3.9 MILLI-OHMS @ 25 °C
- L = 3.3 UH ± 20% , 1 KHZ, 0.25 Vrms, 0 ADC.
- SPECIFICATIONS: MAX DC CURRENT = 10 AMPS

- WIRE: UL RECOGNIZED 130° RATED MAGNET WIRE
- CWS BYTEMARK OR OTHER APPROVED PART
- CORE: MANGANESE ZINC FERRITE ROD
- RATING CLASS B (130°) REQUIRED
- MATERIAL: WIRE INSULATION - UL RECOGNIZED 94V-0 FOR FLAMMABILITY

NOTES: UNLESS OTHERWISE SPECIFIED, POWER INDUCTOR. DIMENSIONS IN INCHES [MM]

UNLESS OTHERWISE SPECIFIED	DO NOT SCALE DRAWING
DRAWING AND TOLERANCE PER ANSI Y14.5M	
ALL DIMENSIONS ARE IN INCHES AND [DIMENSIONS]	
TOLERANCE INCHES: .XX±.003	±.0750°
TOLERANCE METERS: .XX±.08	±.0750°
ANGLE PROJECTION	

CODE IDENT	MFG. P/N	DESCRIPTION	ITEM NO.
AUTOCAD SOLIDWORKS SIGN	X		
DATE	DATE		
TKK	4/10/04		
JLU	4/10/04		
KSUJ	4/10/04		
JLU	4/12/04		
SIZE	DRW. NO.	REV	
B	PCR0625-3R3M	A	
SCALE	2=1	SHEET	1 OF 1