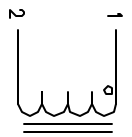


The information contained in this drawing is the sole property of CW's Coil Winding Specialist. Any reproduction in part or whole without written permission of CW's Coil Winding Specialist is prohibited.

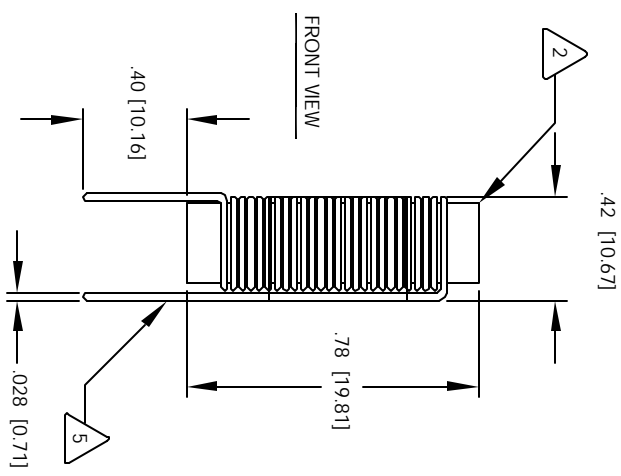
REVISION HISTORY

REV	ECN	DESCRIPTION	DATE	BY	CHK	DATE
A		PRE-PRODUCTION RELEASE	4/10/04	TKK	JLU	4/12/04

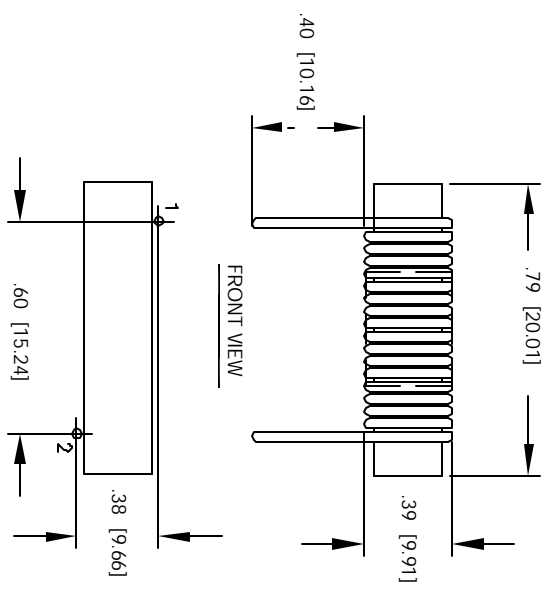
VERTICAL CONFIGURATION



SCHEMATIC



HORIZONTAL CONFIGURATION



- 5 LEADS MUST BE TANGENT TO THE CORE FLUSH WITH THE CORE EDGE, AS SHOWN
- REMOVE INSULATION AND TIN LEADS

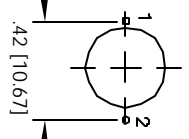
- 4 WIND COILS EVENLY SPACED
- CONSTRUCTION:

- 3 HI-POT TEST FOR CORE TO WINDING = 750 VDC
- DCR = 17.5 MILLI-OHMS @ 25 °C
- L = 8.2 UH ± 20% , 1 KHZ, 0.25 Vrms, 0 ADC.
- SPECIFICATIONS: MAX DC CURRENT = 4 AMPS

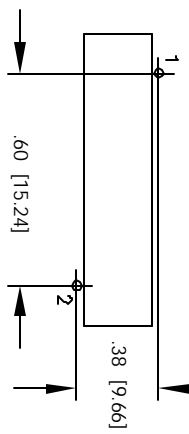
- 2 WIRE: UL RECOGNIZED 130° RATED MAGNET WIRE
- CWS BYTEMARK OR OTHER APPROVED PART
- CORE: MANGANESE ZINC FERRITE ROD

- 1 RATING CLASS B (130°) REQUIRED
 - MATERIAL: WIRE INSULATION - UL RECOGNIZED 94V-0 FOR FLAMMABILITY
- NOTES: UNLESS OTHERWISE SPECIFIED, POWER INDUCTOR.

MOUNTING HOLES PATTERN



MOUNTING HOLES PATTERN



CODE IDENT	MFG. P/N	DESCRIPTION	ITEM NO.
AUTOCAD SOLIDWORKS SIGN	X	PARTS LIST	
DATE	4/10/04	COWS COIL WINDING SPECIALIST	
DATE	4/10/04	1510 E. Edinger Ave.	
DATE	4/10/04	Unit B, Santa Ana, CA, 92705	
DATE	4/12/04	Power Chokes	
DATE	4/12/04	SIZE: DIM. IN.	REV A
DATE	4/12/04	SCALE: B	REV A
DATE	4/12/04	SCALE: 2=1	REV A