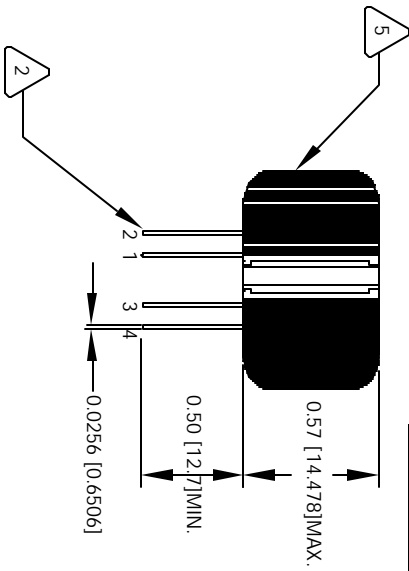


The information contained in this drawing is the sole property of CWS Coil Winding Specialist. Any reproduction in part or whole without written permission of CWS Coil Winding Specialist is prohibited.

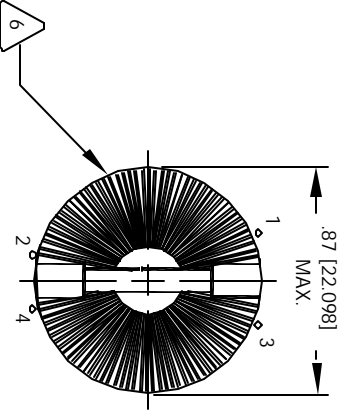
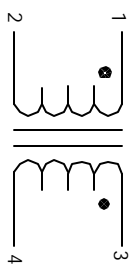
REVISION HISTORY

| REV | ECN | DESCRIPTION | DATE | BY | DATE |
|-----|-----|--------------------|---------|-----|---------|
| C | | PRODUCTION RELEASE | 9/08/04 | JLU | 9/08/04 |

FRONT VIEW

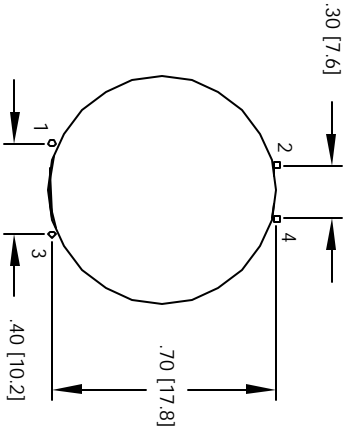


SCHEMATIC



BOTTOM VIEW

MOUNTING HOLES PATTERN



- IF APPLICABLE, MARK PART NUMBER AND REVISION
- FLUSH WITH THE COIL EDGE, AS SHOWN
- REMOVE INSULATION AND TIN LEADS
- WIND ON EACH SIDE OF CORE AND EVENLY SPACED CONSTRUCTION:

- TEMP RANGE = -25 °C TO 120 °C
MAX TEMP RISE = 25.8 °C
TEST VOLTAGE = 2000 VAC, 1 MIN
RATED VOLTAGE = 250 VAC OR VDC
RATED CURRENT = 2 AMPS
DCR = 0.1081 OHMS MAX
L = 2.0 mH MIN., 50 Hz - 400 KHz, 0.250 Vrms, 0 ADC
INSULATION RESISTANCE = 100 MEGA-OHMS MIN. @ 500 VDC
SPECIFICATIONS AT 25 °C
- WIRE: UL RECOGNIZED 130°C RATED MAGNET WIRE
CWS BYTE-MARK OR OTHER APPROVED PART
CORE: FERRITE TOROID.

- BOBBIN RATING CLASS B (130°C) REQUIRED
- MATERIAL: UL RECOGNIZED 94V-0 FOR FLAMMABILITY

NOTES: UNLESS OTHERWISE SPECIFIED, COMMON MODE CHOKE

| |
|--|
| UNLESS OTHERWISE SPECIFIED |
| DRAWING AND TOLERANCE PER FIG 11.5.2M |
| ALL DIMENSIONS ARE IN INCHES AND [MILLIMETERS] |
| TOLERANCE INCHES: .0005 ±.0015 |
| TOLERANCE METERS: .0005 ±.0015 |
| ANGLE PROJECTION |
| DO NOT SCALE DRAWING |

| QTY | CODE | MFG. P/N | DESCRIPTION | ITEM NO. |
|---------------------------|---------------|--|-------------|----------|
| | IDENT | | | |
| | X | | | |
| PARTS LIST | | | | |
| AUTOCAD SOLIDWORKS SIGN | | CWS Coil Winding Specialist 1510 E. Edinger Ave. Unit B, Santa Ana, CA 92705 | | |
| DATE | | DATE | | |
| 9/09/04 | | 9/09/04 | | |
| TITLE: Common Mode Chokes | | | | |
| DRWN: RFR | DATE: 9/09/04 | | | |
| CHKD: JLU | DATE: 9/09/04 | | | |
| ENGR: KSUM | DATE: 9/09/04 | | | |
| APPR: JLU | DATE: 9/09/04 | | | |
| SIZE: DIM. IN. | SCALE: B | LFH-202U-2A | REV: B | |
| 2=1 | | | | |
| SHEET 1 | | OF 1 | | |