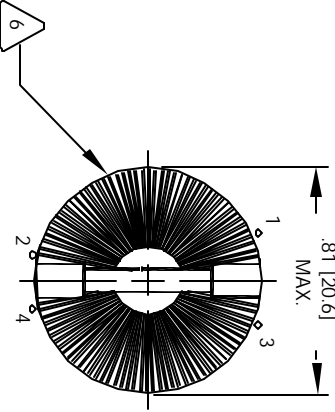
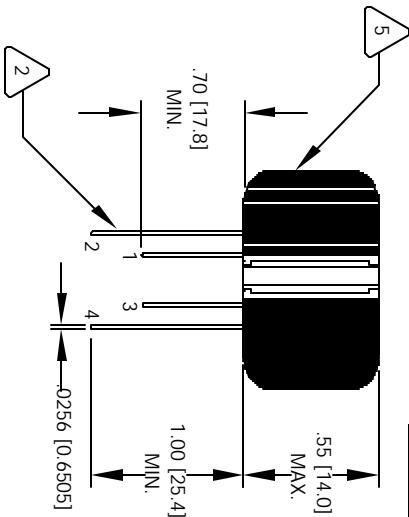


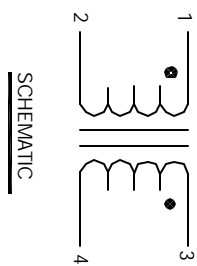
The information contained in this drawing is the sole property of CWS Coil Winding Specialist. Any reproduction in part or whole without written permission of CWS Coil Winding Specialist is prohibited.

REVISION HISTORY			
REV	ECN	DESCRIPTION	DATE
B		PRODUCTION RELEASE	9/02/04

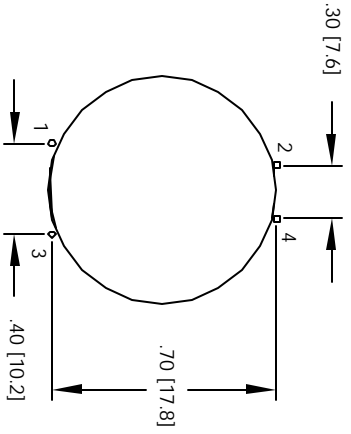
FRONT VIEW



BOTTOM VIEW



SCHEMATIC



MOUNTING HOLES PATTERN

- 6 IF APPLICABLE, MARK PART NUMBER AND REVISION
- 5 FLUSH WITH THE COIL EDGE, AS SHOWN
REMOVE INSULATION AND TIN LEADS
- 4 WIND ON EACH SIDE OF CORE AND EVENLY SPACED
CONSTRUCTION:
TEMP RANGE = -25 °C TO 120 °C
MAX TEMP RISE = 35.1 °C
TEST VOLTAGE = 2000 VAC, 1 MIN
RATED VOLTAGE = 250 VAC OR VDC
RATED CURRENT = 2 AMPS
DCR = 0.172 OHMS MAX
L = 5.0 mH NOMINAL, 50 Hz - 400 KHz, 0.250 Vrms, 0 ADC
INSULATION RESISTANCE = 100 MEGA-OHMS MIN. @ 500 VDC
SPECIFICATIONS AT 25 °C
- 3 WIRE: UL RECOGNIZED 130°C RATED MAGNET WIRE
CWS BYTE-MARK OR OTHER APPROVED PART
CORE: FERRITE TOROID.
- 2 BOBBIN RATING CLASS B (130°C) REQUIRED
MATERIAL: UL RECOGNIZED 94V-0 FOR FLAMMABILITY

NOTES: UNLESS OTHERWISE SPECIFIED, COMMON MODE CHOKE

UNLESS OTHERWISE SPECIFIED	
DRAWING AND TOLERANCE PER ANSI Y14.5M	
ALL DIMENSIONS ARE IN INCHES AND [MILLIMETERS]	
TOLERANCE INCHES: .XXXX ±.010 .XX ±.015 .XX ±.030	
TOLERANCE METERS: .XXX ±.254 .XX ±.38	
ANGLE PROJECTION	AS SHOWN
DO NOT SCALE DRAWING	

QTY	CODE IDENT	MFG. P/N	DESCRIPTION	ITEM NO.
			PARTS LIST	
			COILS.COM, INC	
			1510 E. Edinger Ave	
			Unit B, Santa Ana, CA 92705	
			Common Mode Chokes	
			SIZE: B	REV: A
			LFH-502U-2A	
			SCALE: 2=1	SHEET: 1 OF 1